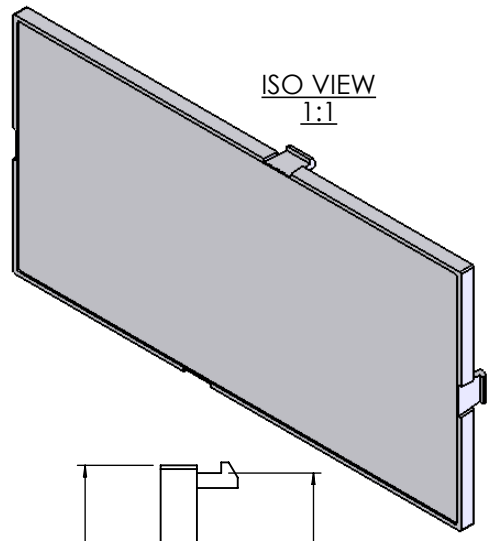
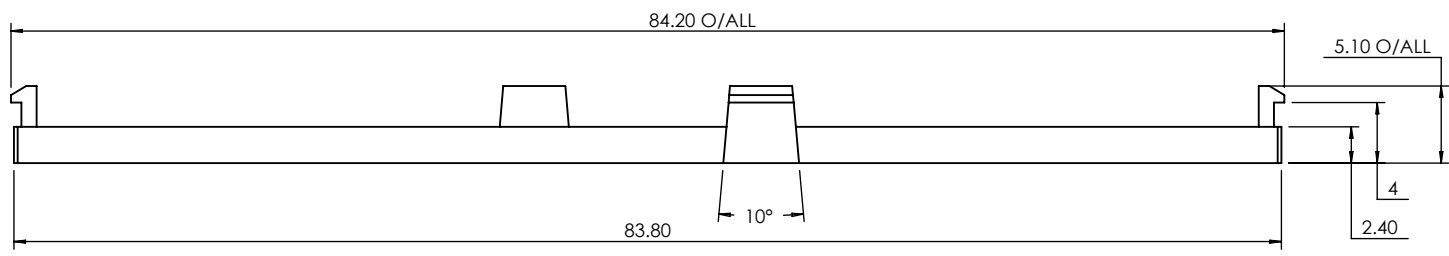
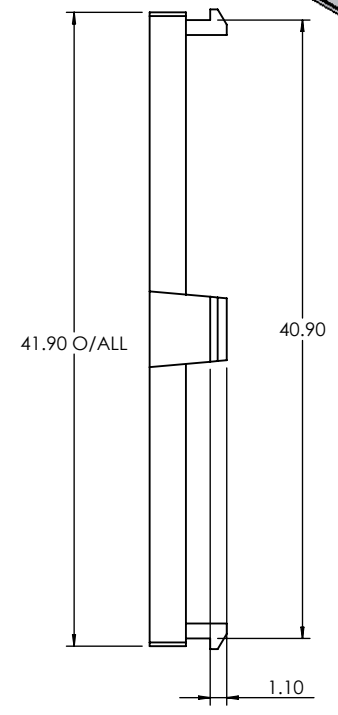
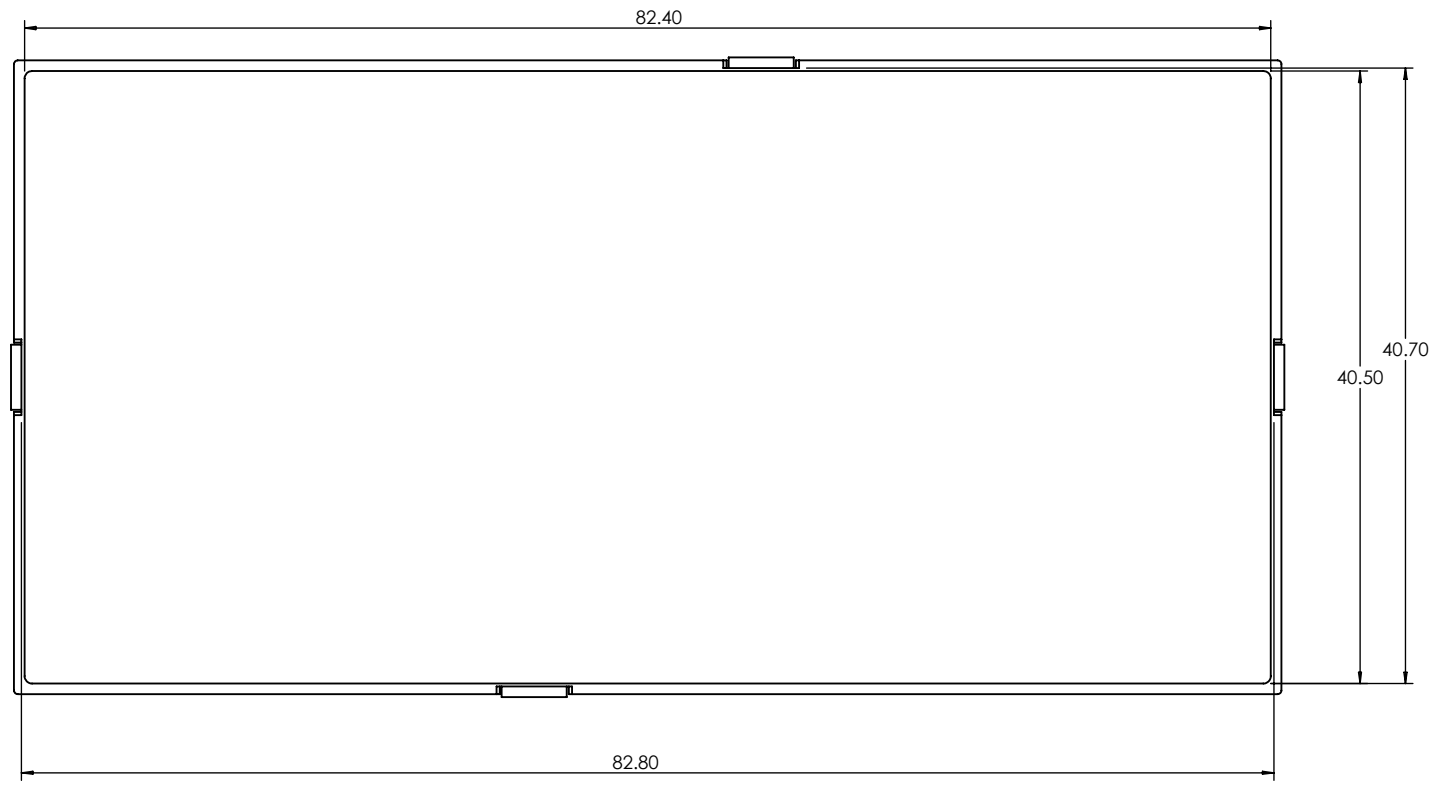


1 2 3 4 5 6

A





B



C

D

1 2 3

 CAMDENBOSS JAMES CARTER RD, MILDENHALL, SUFFOLK. IP28 7DE TEL: 01638 716101 FAX: 01638 716554 EMAIL: Sales@CamdenBoss.com WEB: www.CamdenBoss.com				UNLESS OTHERWISE SPECIFIED: DIMENSIONS ARE IN MILLIMETERS		DO NOT SCALE DRAWING		REVISION. <input type="checkbox"/>	
				GENERAL TOLERANCES +/- 0.2		TITLE: DIMENSION DRAWING FOR CNMB /5/PR			
FINISH. GLOSS		MATERIAL. PC UL 94 - HB		DWG NO. CNMB-5-PR		A4			
DRAWN	IAN PAGANO	I.P.	20/06/114	PROJECTION. 		SCALE: 2:1		SHEET 1 OF 1	
CHKD	-	-	-						