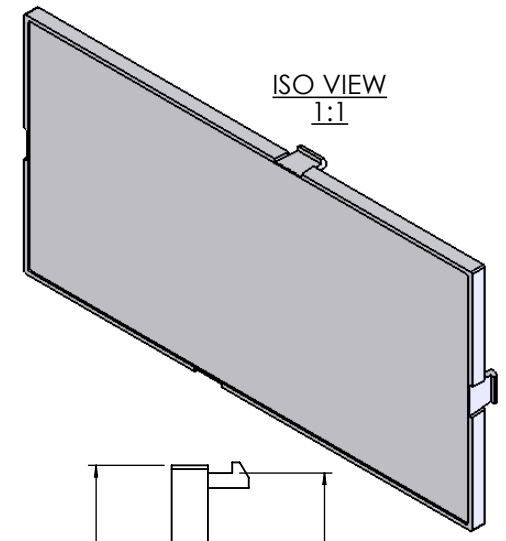
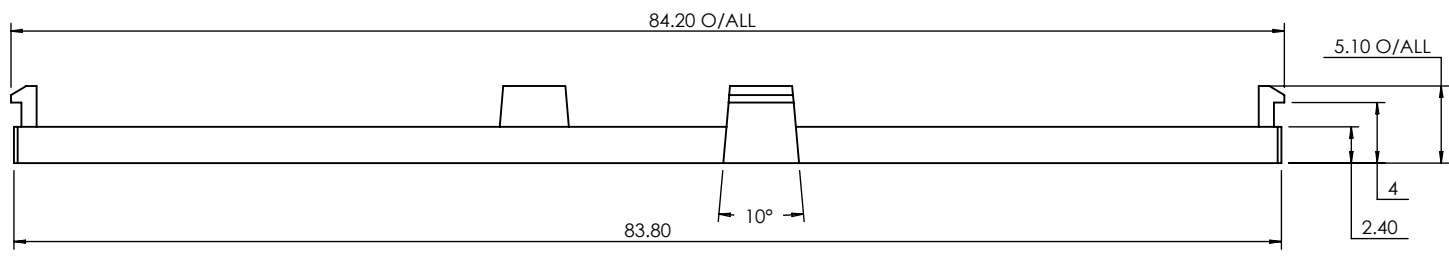
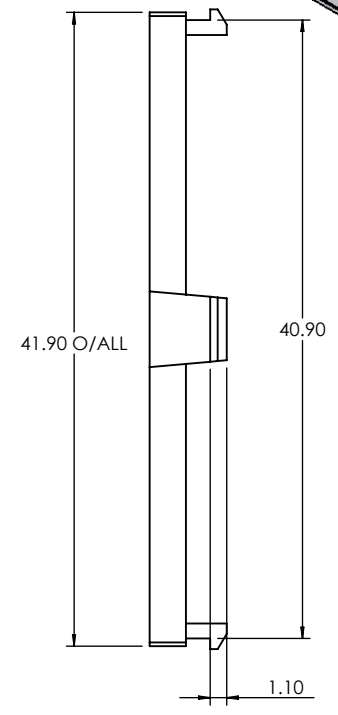
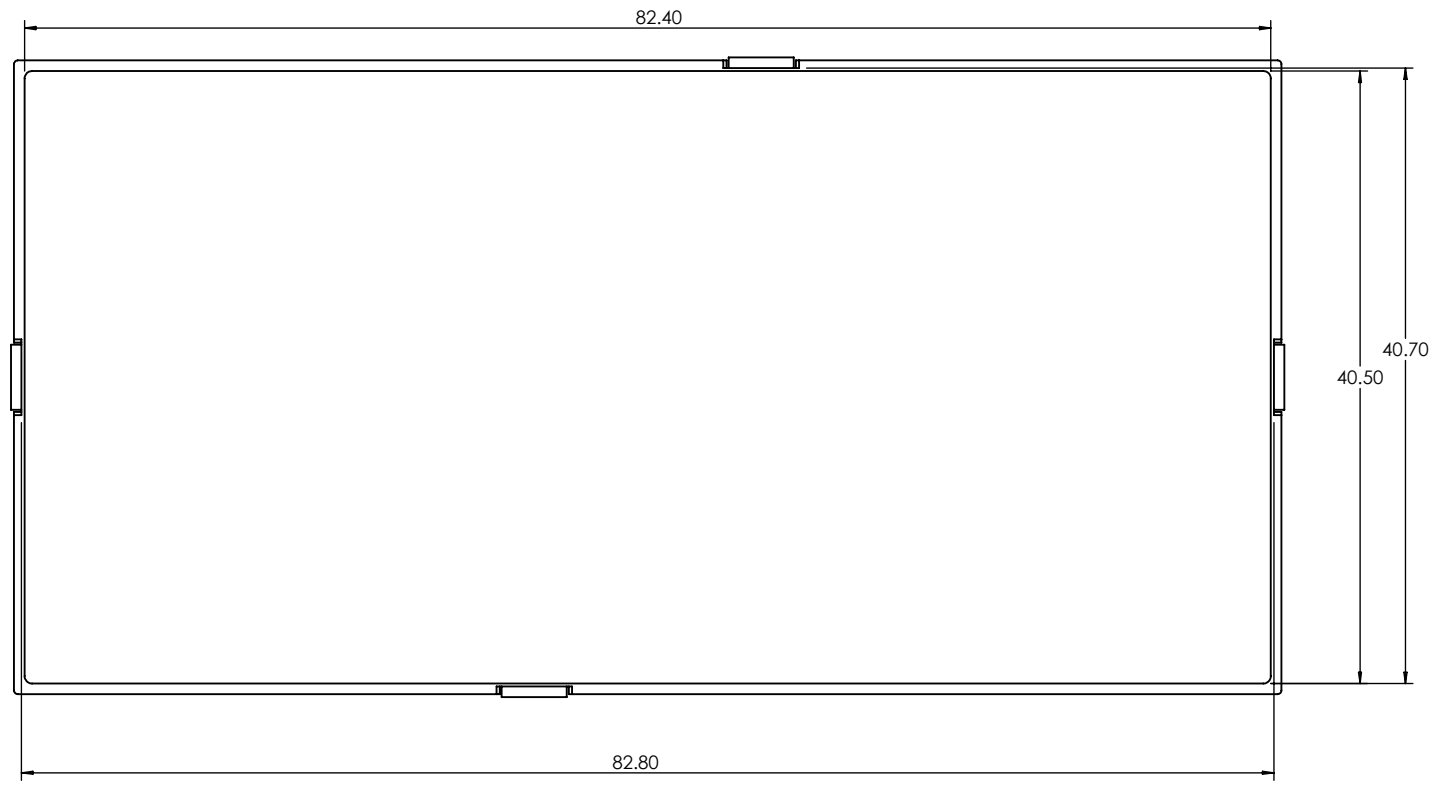


1 2 3 4 5 6

A





B



C

D

 CAMDENBOSS JAMES CARTER RD, MILDENHALL, SUFFOLK. IP28 7DE TEL: 01638 716101 FAX: 01638 716554 EMAIL: Sales@CamdenBoss.com WEB: www.CamdenBoss.com				UNLESS OTHERWISE SPECIFIED: DIMENSIONS ARE IN MILLIMETERS		DO NOT SCALE DRAWING		REVISION. ○	
				GENERAL TOLERANCES +/- 0.2		FINISH. GLOSS		TITLE: DIMENSION DRAWING FOR CNMB /5/PS	
DRAWN IAN PAGANO		SIGNED I.P.	DATE 20/06/114	MATERIAL. PC UL 94 - HB		DWG NO. CNMB-5-PR		A4	
CHKD -		-	-	PROJECTION. 		SCALE: 2:1		SHEET 1 OF 1	

1 2 3