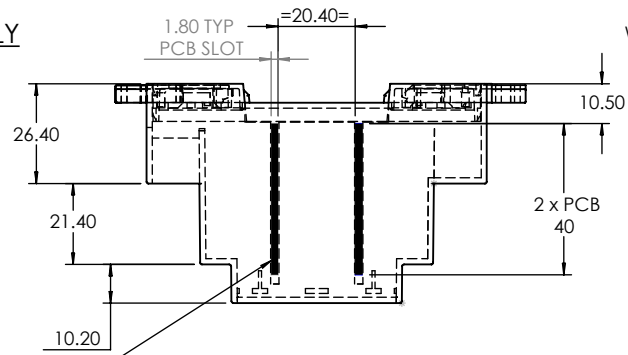
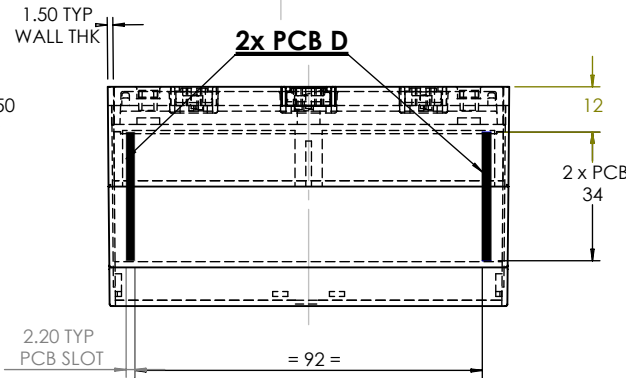


ASSEMBLY

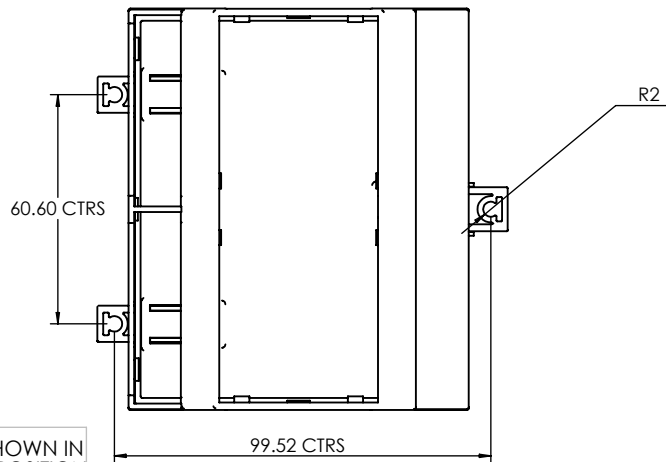
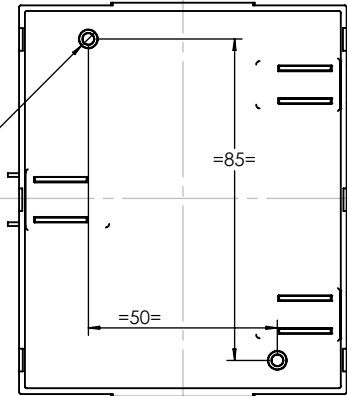


2x PCB E



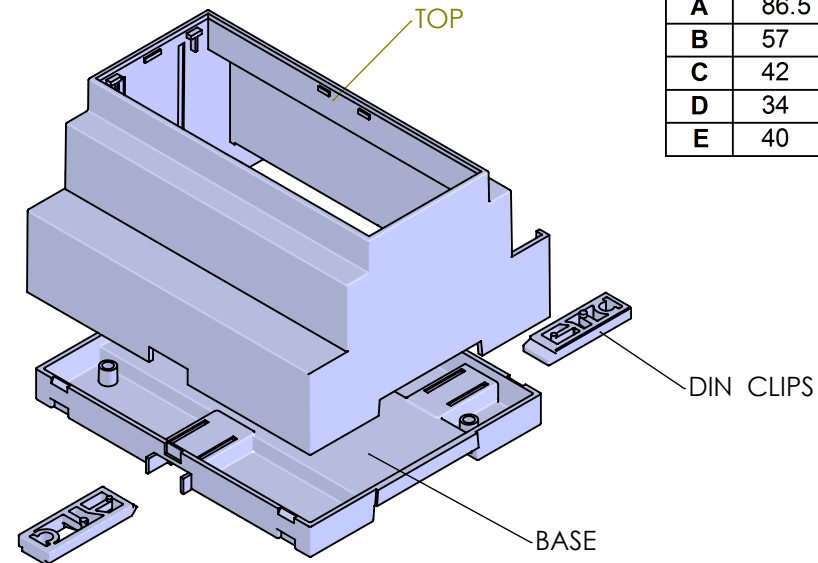
BASE

2x Ø 4.83 FOR MOUNTING LOWER PCB

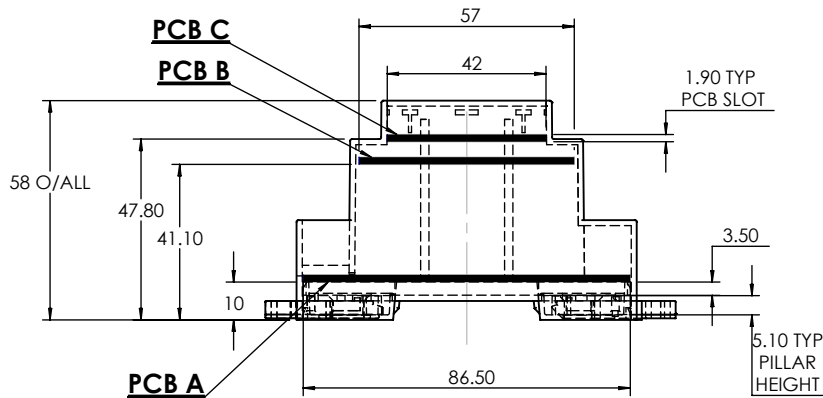


DIN CLIPS ARE SHOWN IN WALL MOUNTING POSITION

ISO VIEW
1:2



PCB DIMENSIONS (mm)	
A	86.5 x 103
B	57 x 102
C	42 x 102
D	34 x 59.6
E	40 x 103



<p>CAMDENBOSS JAMES CARTER RD, MILDENHALL, SUFFOLK. IP28 7DE TEL: 01638 716101 FAX: 01638 716554 EMAIL: Sales@CamdenBoss.com WEB: www.CamdenBoss.com</p>		UNLESS OTHERWISE SPECIFIED: DIMENSIONS ARE IN MILLIMETERS	DO NOT SCALE DRAWING	REVISION: 0		
		FINISH: SMOOTH	TITLE: GNL ASSY DRG FOR CNMB SERIES			
	NAME SUBKHANKULOVA	SIGNED LS	DATE 13/01/10	MATERIAL: UL94-V0 PC	DWG NO. CNMB-6W-1	A4
	CHKD STUART HARDINGE	SJH	13/01/10	PROJECTION:	SCALE: 1:2	SHEET 1 OF 1