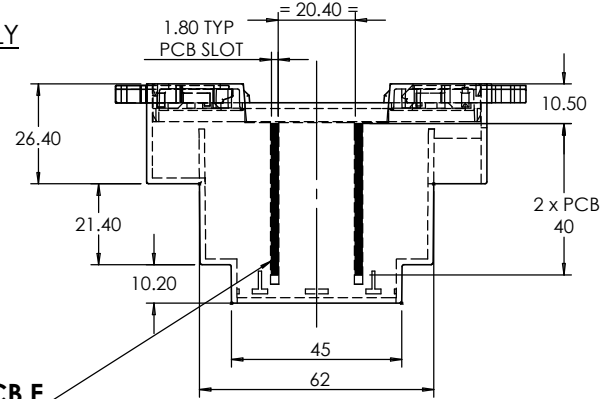
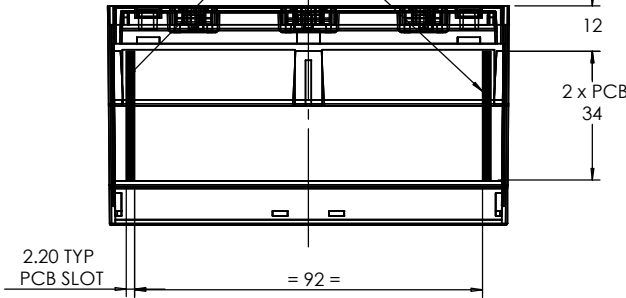


**ASSEMBLY**



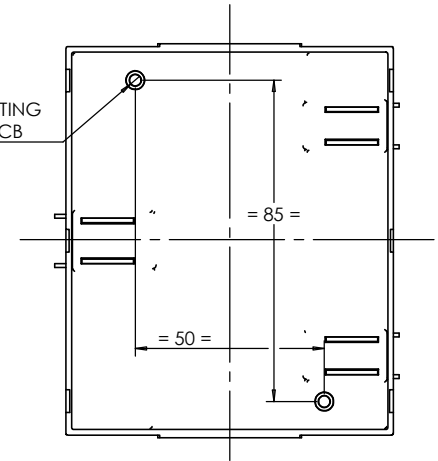
1.50 TYP WALL THK

**2x PCB D**

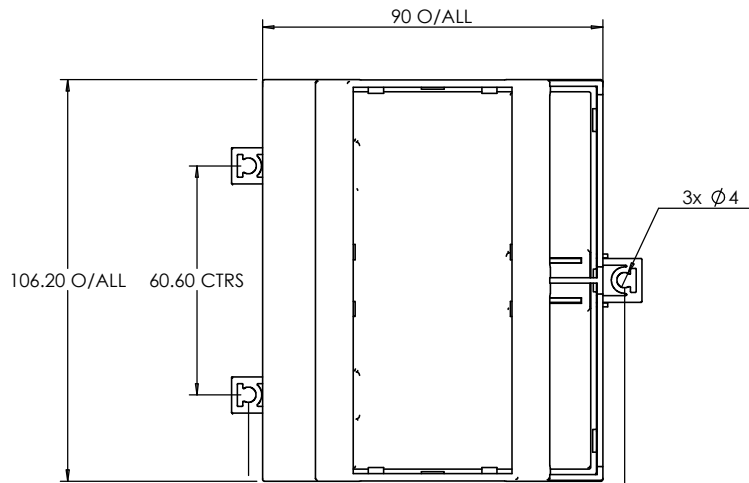


**BASE**

2x  $\phi 3$  FOR MOUNTING LOWER PCB

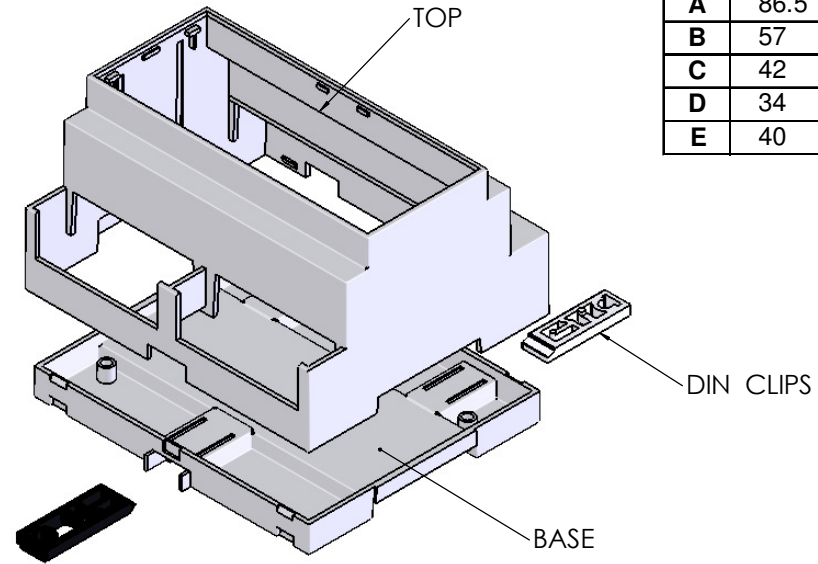


**2x PCB E**

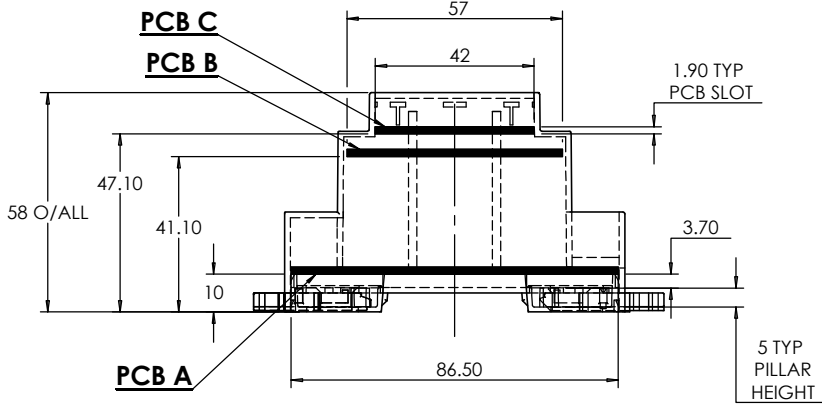


DIN CLIPS ARE SHOWN IN WALL MOUNTING POSITION

**ISO VIEW**  
1:2



PCB DIMENSIONS (mm)	
A	86.5 x 103
B	57 x 102
C	42 x 102
D	34 x 59.6
E	40 x 103



<p><b>CAMDENBOSS</b> JAMES CARTER RD, MILDENHALL, SUFFOLK. IP28 7DE TEL: 01638 716101 FAX: 01638 716554 EMAIL: Sales@CamdenBoss.com WEB: www.CamdenBoss.com</p>		UNLESS OTHERWISE SPECIFIED: DIMENSIONS ARE IN MILLIMETERS	DO NOT SCALE DRAWING	REVISION. 0		
		FINISH. <b>SMOOTH</b>	TITLE: <b>GNL ASSY DRG FOR CNMB SERIES</b>			
	NAME SUBKHANKULOVA	SIGNED LS	DATE 13/01/10	MATERIAL. <b>UL94-V0 PC</b>	DWG NO. <b>CNMB-6-1</b>	A4
CHK'D	STUART HARDINGE	SJH	13/01/10	PROJECTION.	SCALE: 1:2	SHEET 1 OF 1