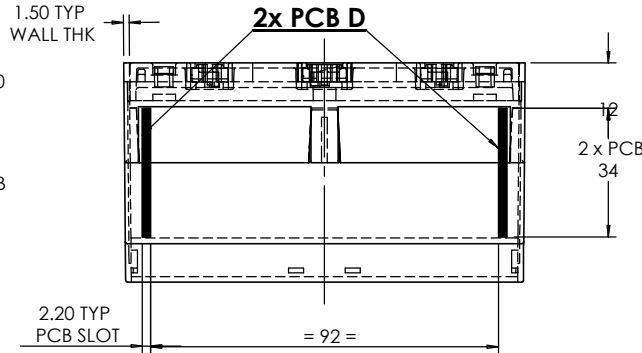
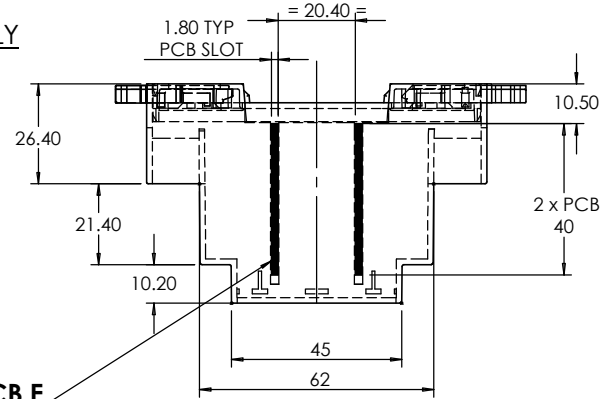
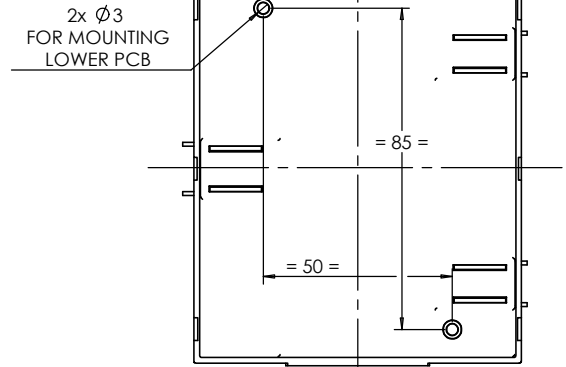


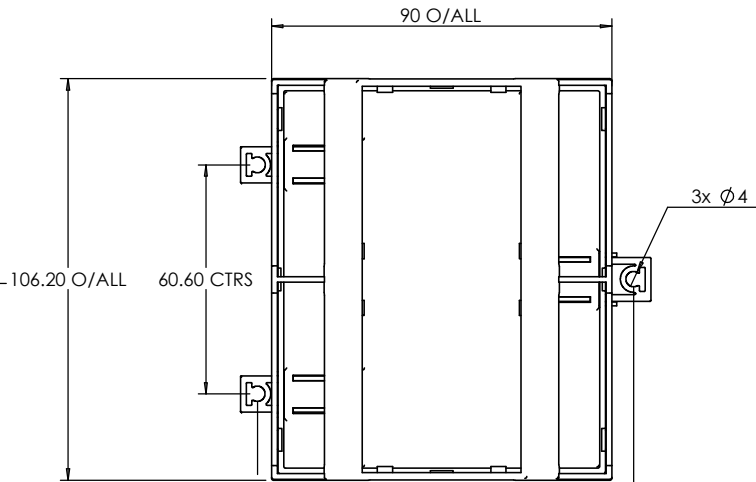
ASSEMBLY



BASE



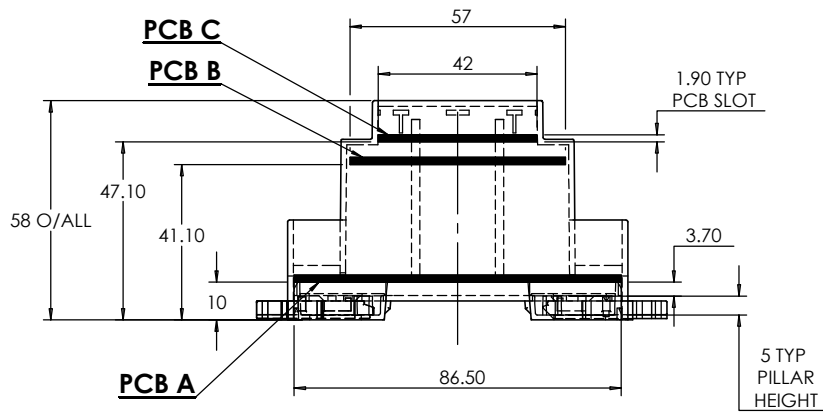
2x PCB E



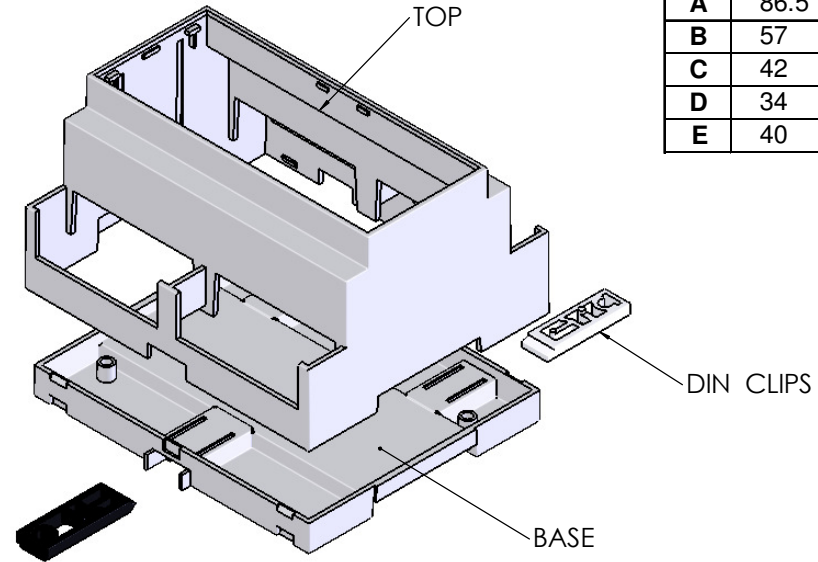
DIN CLIPS ARE SHOWN IN WALL MOUNTING POSITION

PCB C

PCB B



ISO VIEW
1:2



PCB DIMENSIONS (mm)		
A	86.5	x 103
B	57	x 102
C	42	x 102
D	34	x 59.6
E	40	x 103

<p>CAMDENBOSS JAMES CARTER RD, MILDENHALL, SUFFOLK. IP28 7DE TEL: 01638 716101 FAX: 01638 716554 EMAIL: Sales@CamdenBoss.com WEB: www.CamdenBoss.com</p>		UNLESS OTHERWISE SPECIFIED: DIMENSIONS ARE IN MILLIMETERS	DO NOT SCALE DRAWING	REVISION. 0		
		FINISH. SMOOTH	TITLE: GNL ASSY DRG FOR CNMB SERIES			
	NAME SUBKHANKULOVA	SIGNED LS	DATE 13/01/10	MATERIAL. UL94-V0 PC	DWG NO. CNMB-6-2	A4
CHK'D STUART HARDINGE	SJH	13/01/10	PROJECTION.	SCALE. 1:2	SHEET 1 OF 1	