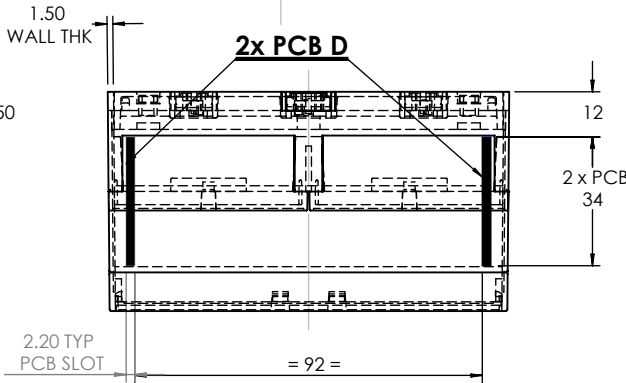
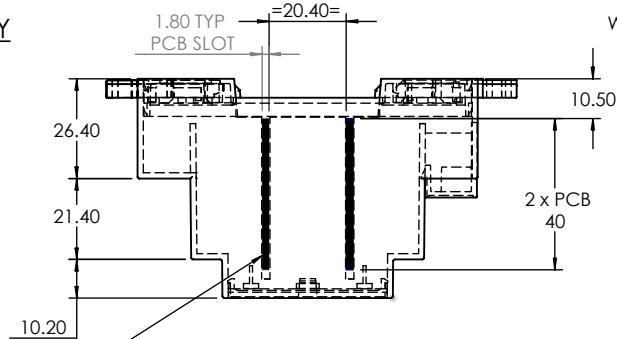
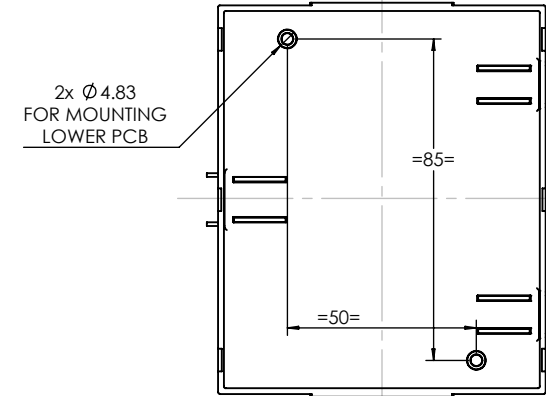


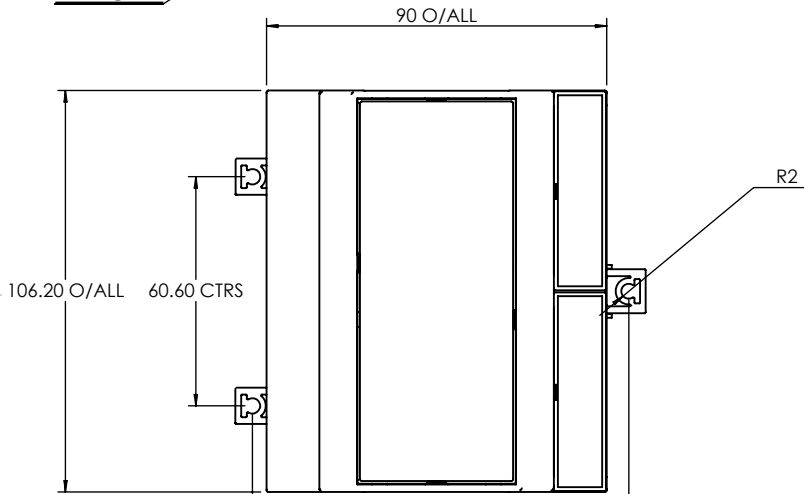
**ASSEMBLY**



**BASE**



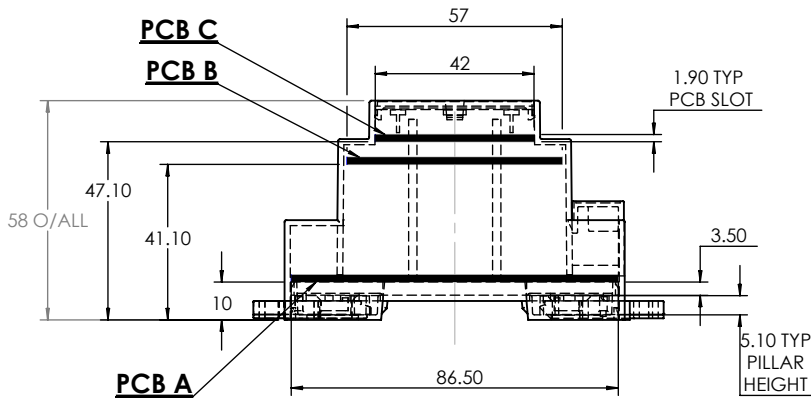
**2x PCB E**



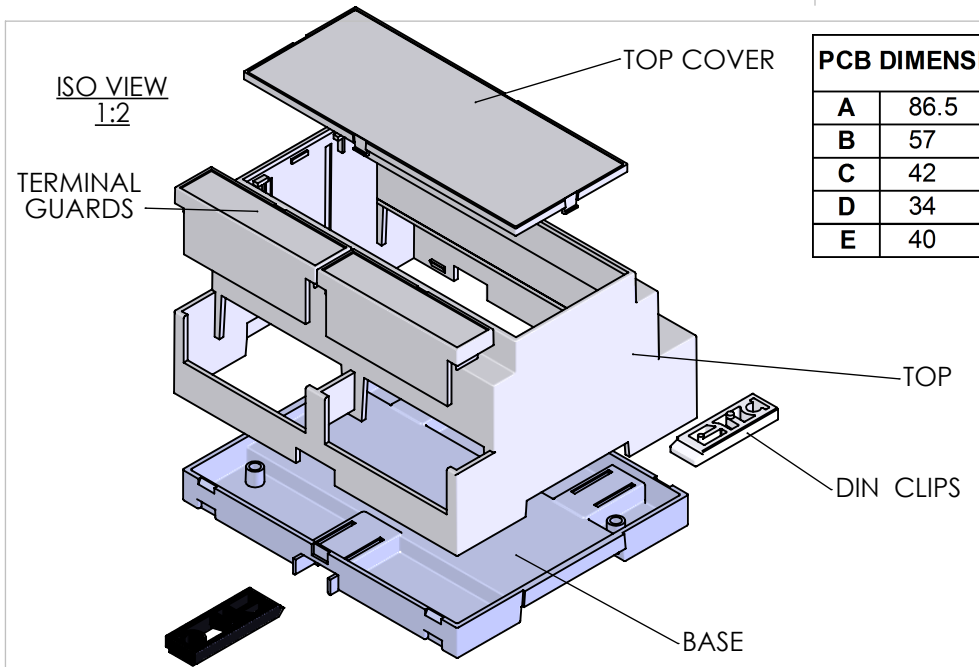
DIN CLIPS ARE SHOWN IN WALL MOUNTING POSITION

**PCB C**

**PCB B**



**ISO VIEW  
1:2**



PCB DIMENSIONS (mm)		
A	86.5	x 103
B	57	x 102
C	42	x 102
D	34	x 59.6
E	40	x 103



**CAMDENBOSS**

JAMES CARTER RD, MILDENHALL, SUFFOLK. IP28 7DE  
 TEL: 01638 716101 FAX: 01638 716554  
 EMAIL: Sales@CamdenBoss.com  
 WEB: www.CamdenBoss.com

UNLESS OTHERWISE SPECIFIED:  
 DIMENSIONS ARE IN MILLIMETERS

DO NOT SCALE DRAWING

REVISION: 0

FINISH:  
**SMOOTH**

TITLE:  
**GNL ASSY DRG FOR  
 CNMB SERIES**

	NAME	SIGNED	DATE
DRAWN	SUBKHANKULOVA	LS	13/01/10
CHKD	STUART HARDINGE	SJH	13/01/10

MATERIAL:  
**UL94-V0 PC**

DWG NO.

**CNMB-6-1-KIT**

A4

PROJECTION:

SCALE: 1 : 2

SHEET 1 OF 1