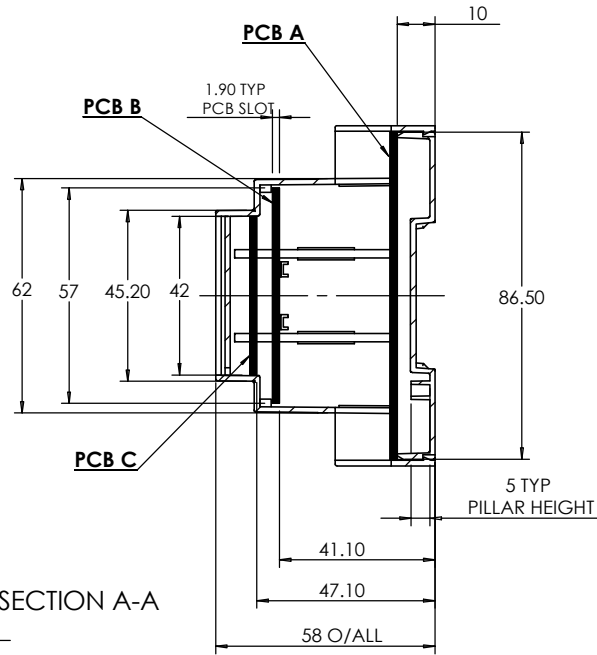
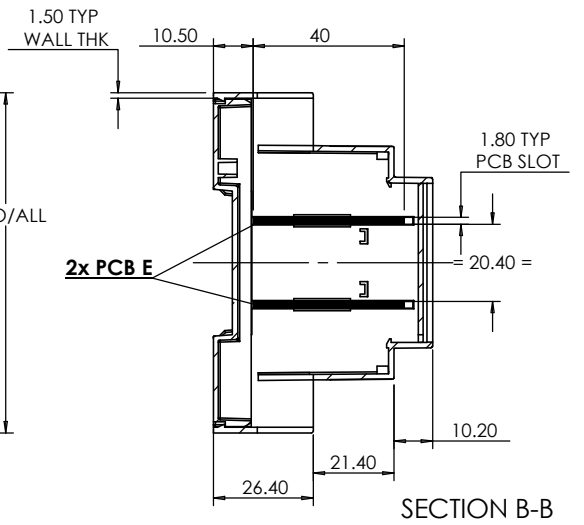
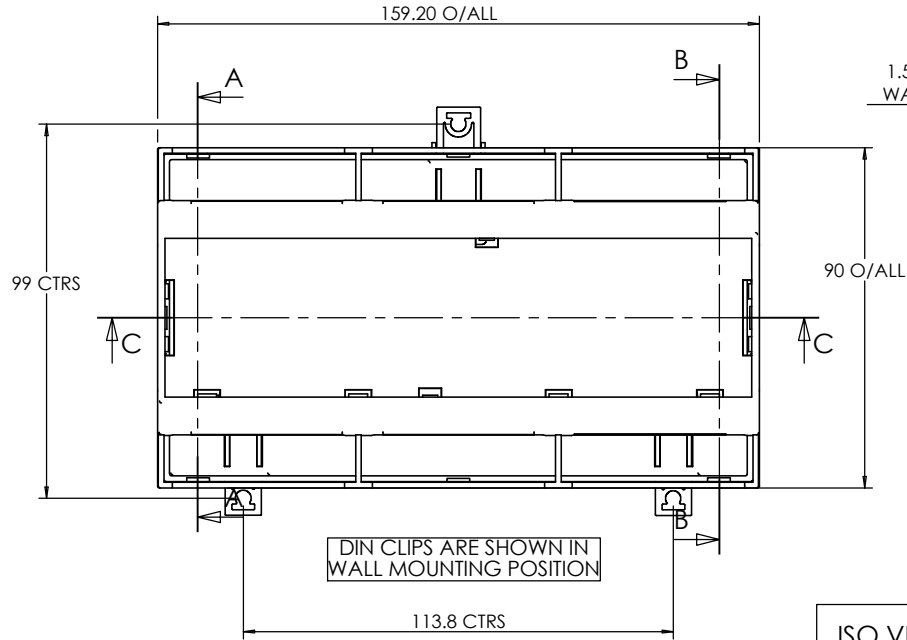


**ASSEMBLY**

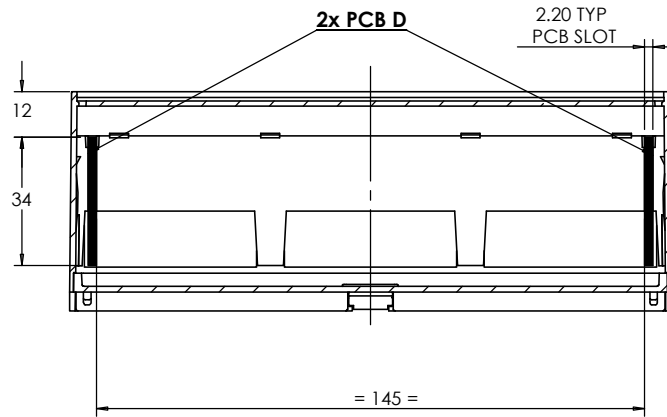
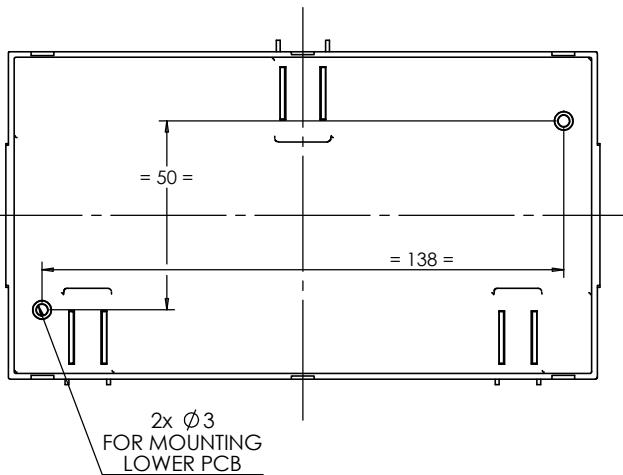


SECTION A-A



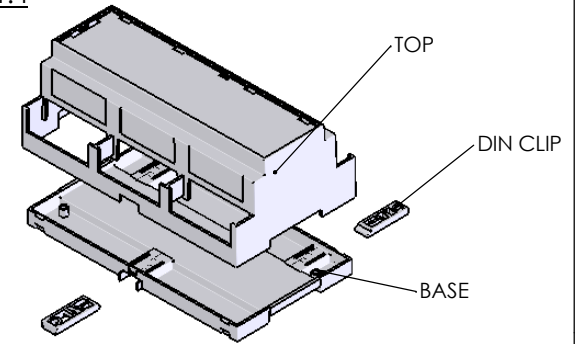
SECTION B-B

**BASE**



SECTION C-C

**ISO VIEW**  
1:4



PCB DIMENSIONS (mm)	
<b>A</b>	86.5 x 155
<b>B</b>	57 x 155.4
<b>C</b>	42 x 154
<b>D</b>	34 x 59.6
<b>E</b>	40 x 155

<p><b>CAMDENBOSS</b> JAMES CARTER RD, MILDENHALL, SUFFOLK. IP28 7DE TEL: 01638 716101 FAX: 01638 716554 EMAIL: Sales@CamdenBoss.com WEB: www.CamdenBoss.com</p>		UNLESS OTHERWISE SPECIFIED: DIMENSIONS ARE IN MILLIMETERS	DO NOT SCALE DRAWING	REVISION. 0	
		FINISH. <b>SMOOTH</b>	TITLE: <b>GNL ASSY DRG FOR CNMB SERIES</b>		
DRAWN L. SUBKHANKULOVA	SIGNED LS	DATE 24/03/10	MATERIAL. <b>UV94-V0 PC</b>	DWG NO. <b>CNMB-9ST-2</b>	<b>A4</b>
CHK'D STUART HARDINGE	SJH	24/03/10	PROJECTION.	SCALE: 1 : 2	