

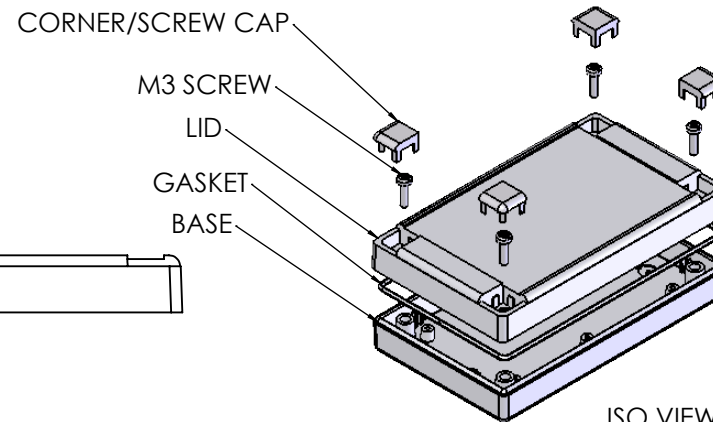
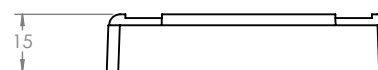
OVERALL ASSEMBLY DIMENSIONS:

EXTERNAL - 127 x 75 x 30

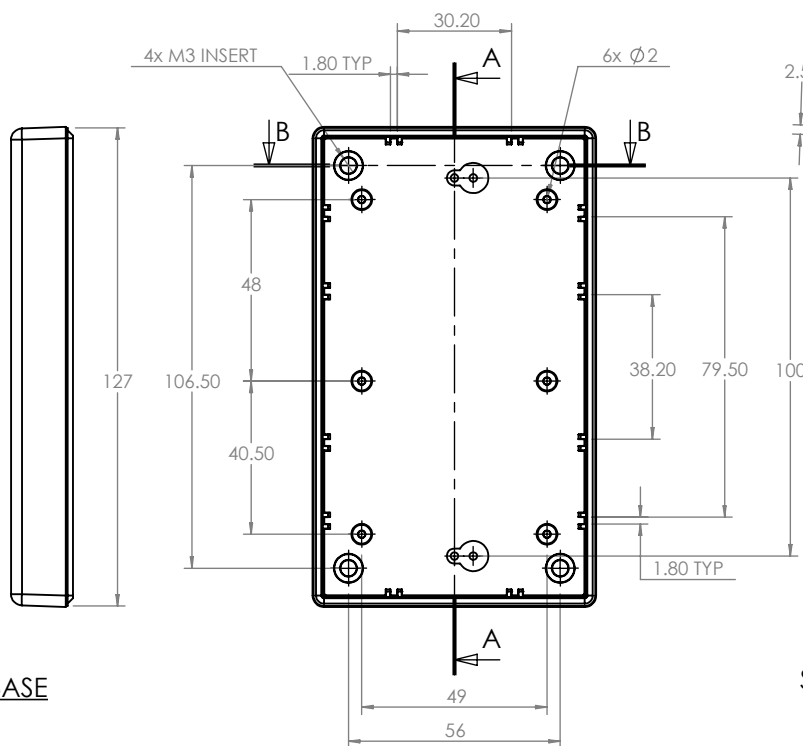
INTERNAL - 122 x 70 x 23.5



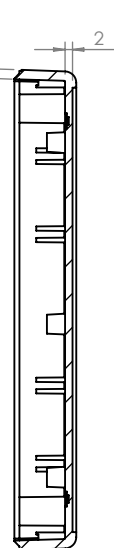
SECTION B-B



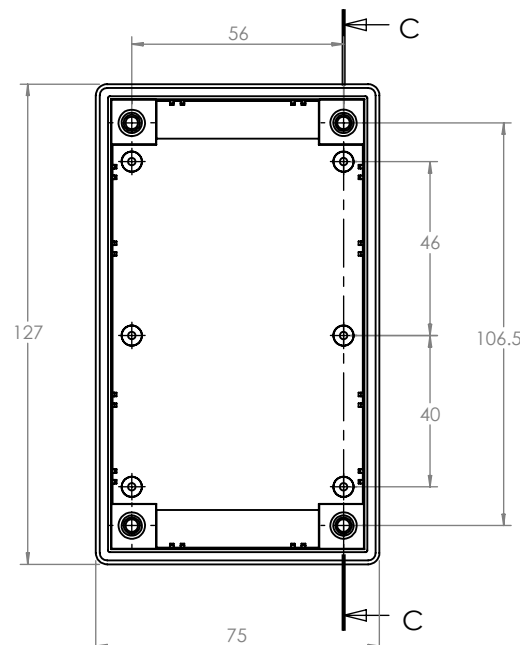
ISO VIEW
1:3



BASE

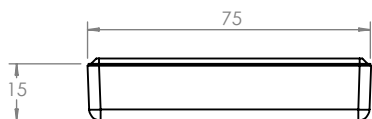



SECTION A-A



SECTION C-C

LID



 CAMDENBOSS JAMES CARTER RD, MILDENHALL, SUFFOLK. IP28 7DE TEL: 01638 716101 FAX: 01638 716554 EMAIL: Sales@CamdenBoss.com WEB: www.CamdenBoss.com		UNLESS OTHERWISE SPECIFIED: DIMENSIONS ARE IN MILLIMETERS		DO NOT SCALE DRAWING	REVISION. B
		GENERAL TOLERANCES +/- 0.2		TITLE: ASSEMBLY DRG FOR RECESS DESIGNER CASE SIZE 4 GREY	
FINISH.		LIGHT SPARK		DWG NO. CRDCERG04	
MATERIAL.		UL 94 - V0 ABS		SCALE. 1:2	
DRAWN	NAME	SIGNED	DATE	SHEET 1 OF 1	
CHKD	IAN PAGANO	I.P.	24/09/13		
PROJECTION.		