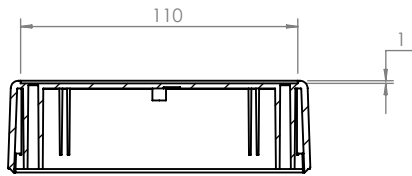


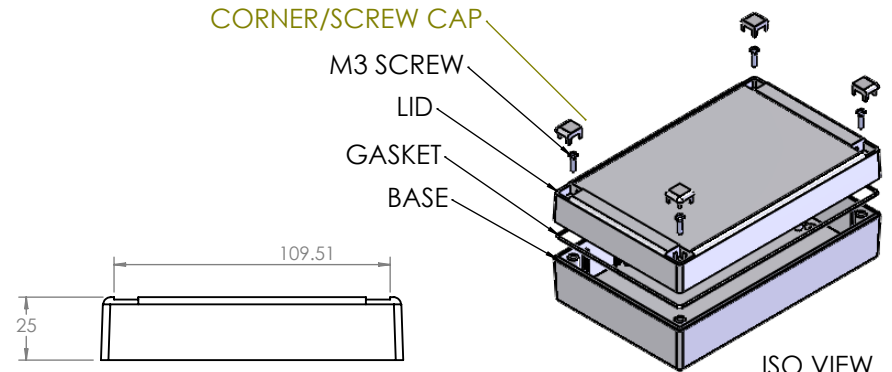
OVERALL ASSEMBLY DIMENSIONS:

EXTERNAL - 190 x 120 x 60

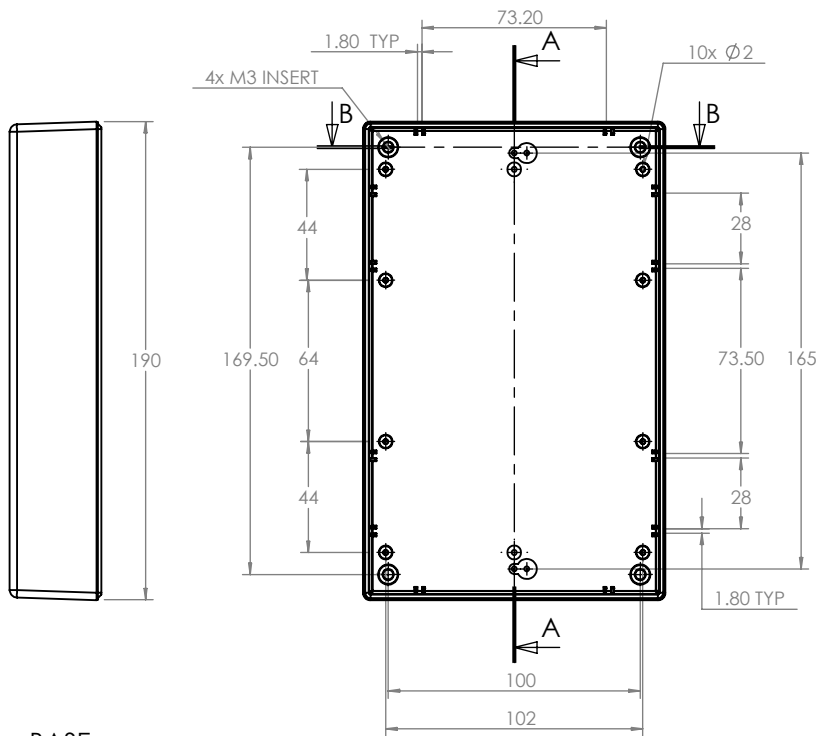
INTERNAL - 185 x 115 x 53.5



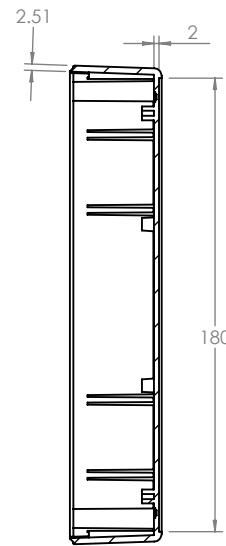
SECTION B-B



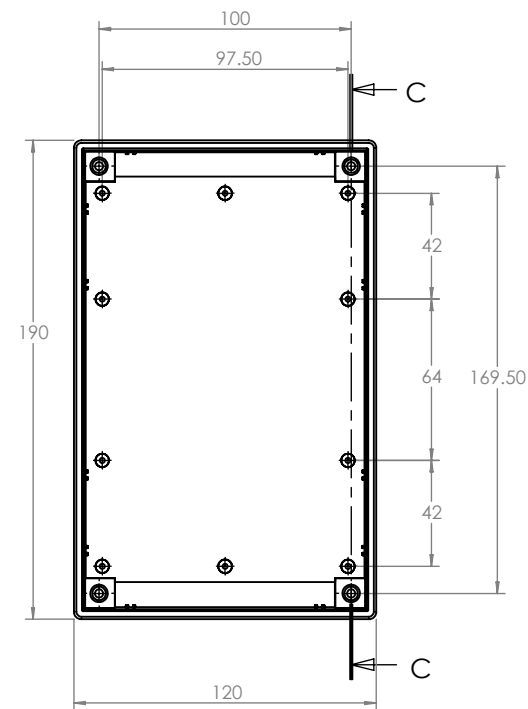
ISO VIEW
1:5



BASE

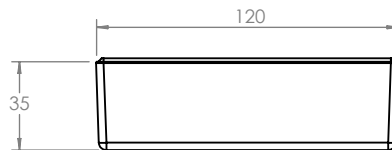




SECTION A-A



SECTION C-C

LID



| | | | | | | | |
|---|------|--------|------|---|--|--|--------------|
|  CAMDENBOSS JAMES CARTER RD, MILDENHALL, SUFFOLK. IP28 7DE TEL: 01638 716101 FAX: 01638 716554 EMAIL: Sales@CamdenBoss.com WEB: www.CamdenBoss.com | | | | UNLESS OTHERWISE SPECIFIED: DIMENSIONS ARE IN MILLIMETERS | | DO NOT SCALE DRAWING | REVISION: C |
| | | | | GENERAL TOLERANCES +/- 0.2 | | TITLE: ASSEMBLY DRG FOR RECESS DESIGNER CASE SIZE 7 GREY | |
| FINISH: LIGHT SPARK | | | | MATERIAL: UL 94 - V0 ABS | | DWG NO. CRDCERG07 | A4 |
| DRAWN | NAME | SIGNED | DATE | PROJECTION:  | | SCALE: 1:3 | SHEET 1 OF 1 |
| CHKD | - | - | - | | | | |