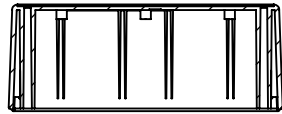


OVERALL ASSEMBLY DIMENSIONS:

EXTERNAL - 220 x 145 x 80

INTERNAL - 215 x 140 x 73.5



SECTION B-B

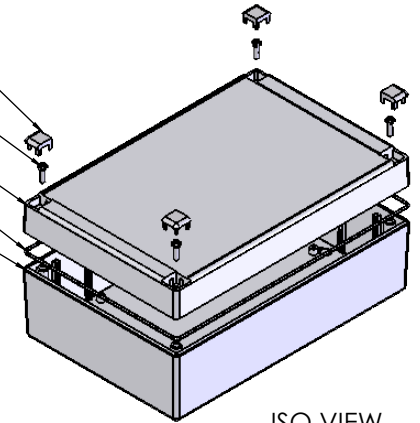
CORNER/SCREW CAP

M3 SCREW

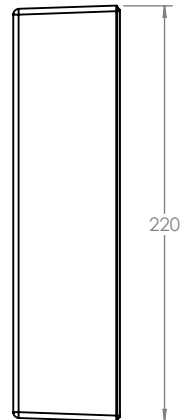
LID

GASKET

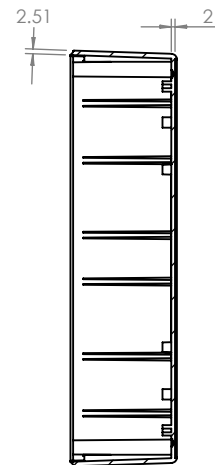
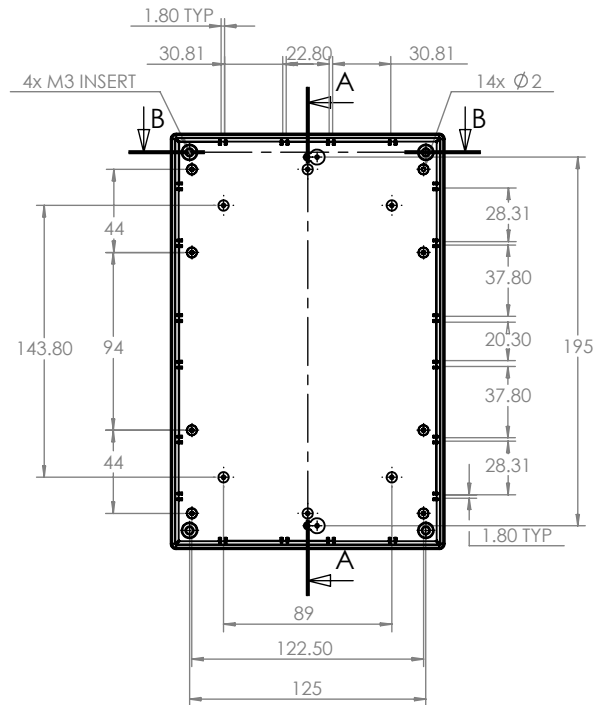
BASE



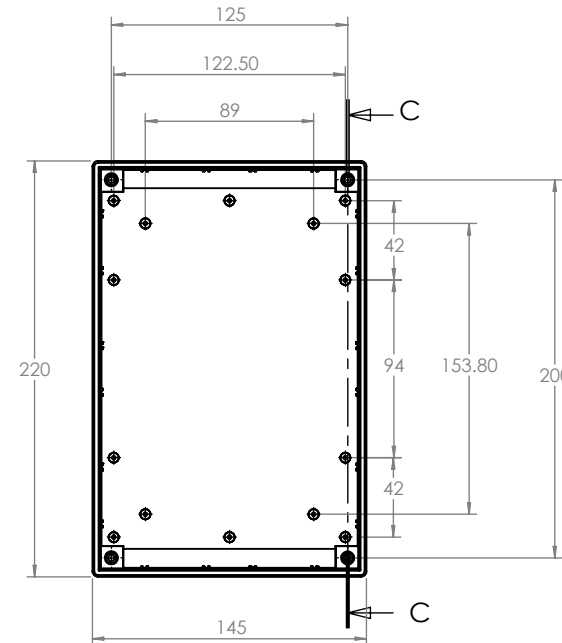
ISO VIEW
1:5



BASE

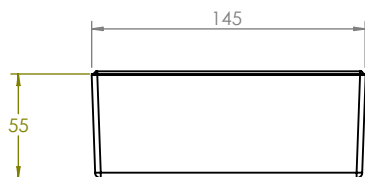




SECTION A-A



SECTION C-C

LID



 CAMDENBOSS JAMES CARTER RD, MILDENHALL, SUFFOLK. IP28 7DE TEL: 01638 716101 FAX: 01638 716554 EMAIL: Sales@CamdenBoss.com WEB: www.CamdenBoss.com		UNLESS OTHERWISE SPECIFIED: DIMENSIONS ARE IN MILLIMETERS		DO NOT SCALE DRAWING		REVISION. B	
		GENERAL TOLERANCES +/- 0.2		TITLE: ASSEMBLY DRG FOR RECESS DESIGNER CASE SIZE 9 GREY			
FINISH.		LIGHT SPARK		MATERIAL.		UL 94 - V0 ABS	
DRAWN	NAME	SIGNED	DATE	DWG NO.		CRDCERG09	
CHKD	IAN PAGANO	I.P.	24/09/13	SCALE: 1:4		SHEET 1 OF 1	
PROJECTION.						A4	