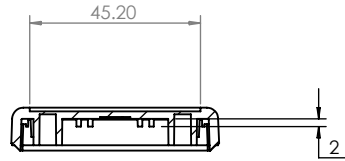


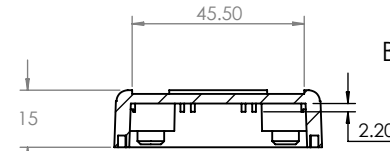
OVERALL ASSEMBLY DIMESIONS :

EXTERNAL - 90 x 55 x 25

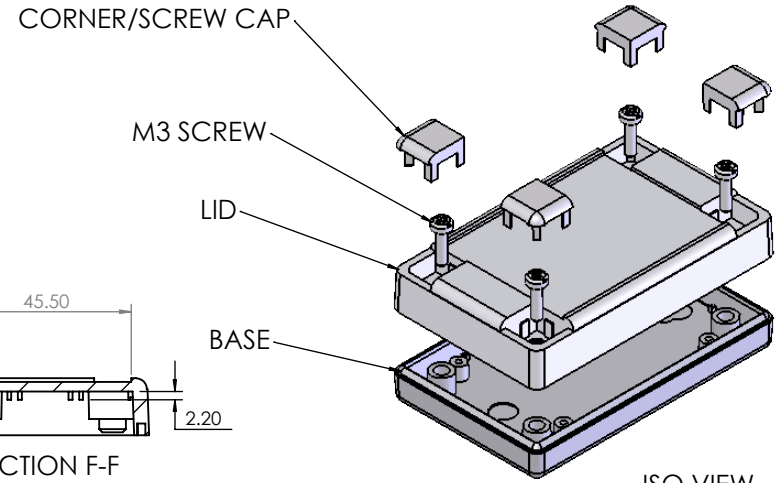
INTERNAL - 85 x 50 x 23.5



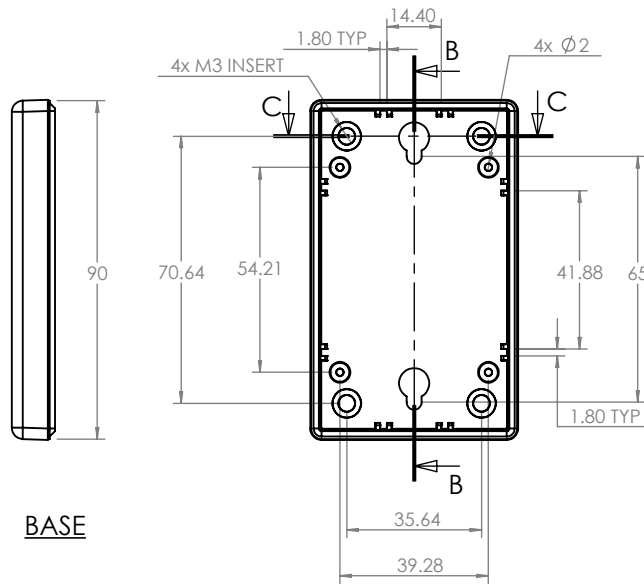
SECTION C-C



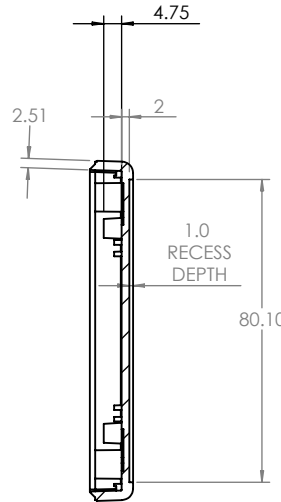
SECTION F-F



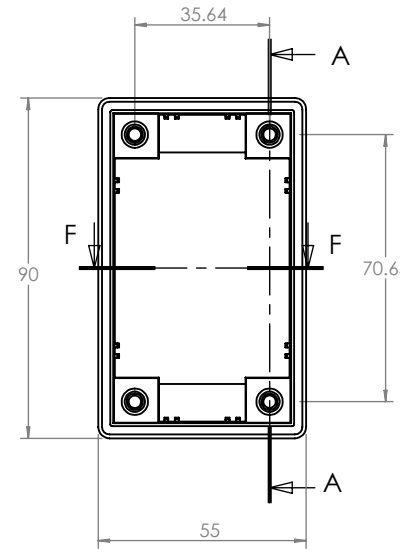
ISO VIEW



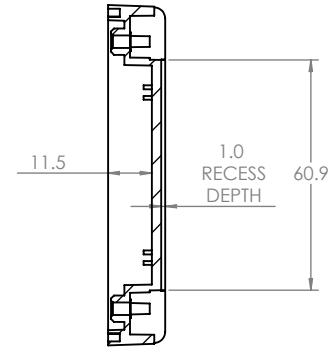
BASE



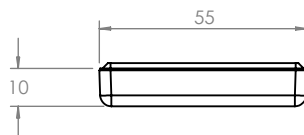
SECTION B-B





SECTION A-A



LID



 <b>CAMDENBOSS</b> JAMES CARTER RD, MILDENHALL, SUFFOLK. IP28 7DE TEL: 01638 716101 FAX: 01638 716554 EMAIL: Sales@CamdenBoss.com WEB: www.CamdenBoss.com		UNLESS OTHERWISE SPECIFIED: DIMENSIONS ARE IN MILLIMETERS		DO NOT SCALE DRAWING	REVISION. <b>A</b>
		GENERAL TOLERANCES +/- 0.2		TITLE: <b>ASSEMBLY DRG FOR RECESS DESIGNER CASE SIZE 1 GREY</b>	
FINISH. <b>LIGHT SPARK</b>		MATERIAL. <b>ABS HB</b>		DWG NO. <b>CRDCG0001</b>	
DRAWN <b>IAN PAGANO</b>	SIGNED <b>I.P.</b>	DATE <b>24/09/13</b>	PROJECTION. 	SCALE. <b>1:2</b>	SHEET 1 OF 1
CHKD <b>-</b>	<b>-</b>	<b>-</b>			<b>A4</b>