

OVERALL ASSEMBLY DIMENSIONS:

EXTRENAL - 90 x 55 x 40

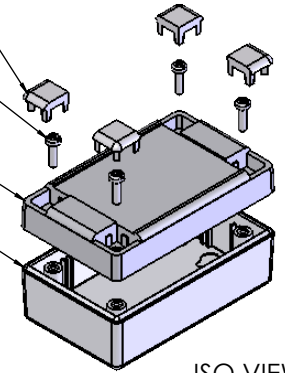
INTERNAL - 85 x 50 x 33.5

CORNER/SCREW CAP

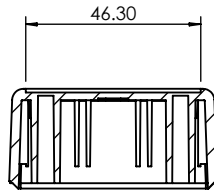
M3 SCREW

LID

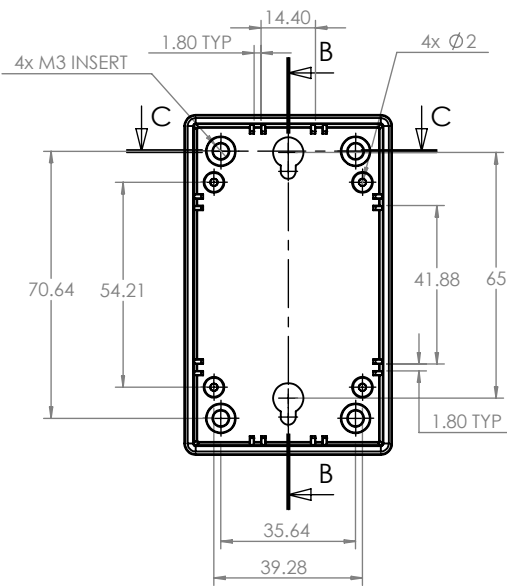
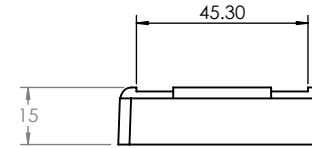
BASE



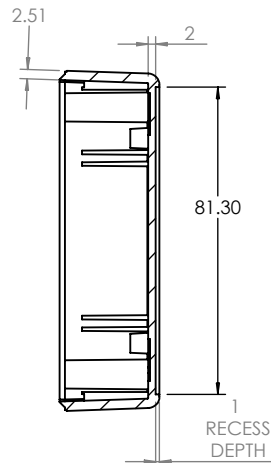
ISO VIEW
1:3



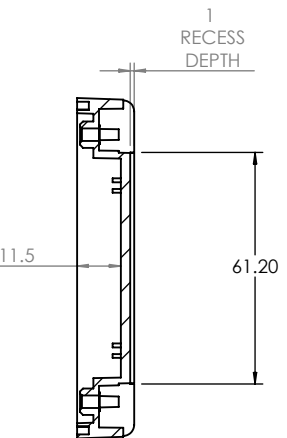
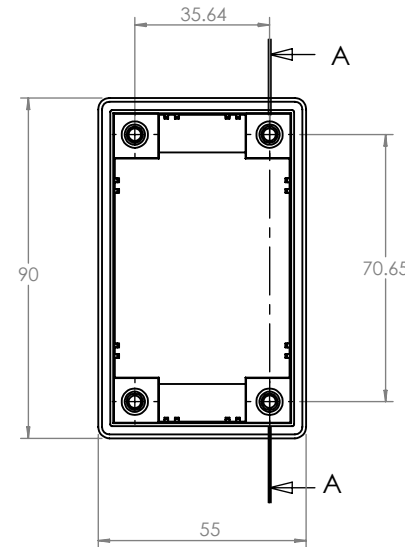
SECTION C-C



BASE

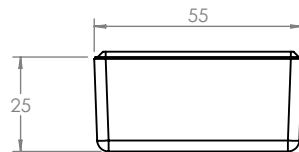



SECTION B-B



SECTION A-A

LID



 CAMDENBOSS JAMES CARTER RD, MILDENHALL, SUFFOLK. IP28 7DE TEL: 01638 716101 FAX: 01638 716554 EMAIL: Sales@CamdenBoss.com WEB: www.CamdenBoss.com		UNLESS OTHERWISE SPECIFIED: DIMENSIONS ARE IN MILLIMETERS		DO NOT SCALE DRAWING	REVISION. B
		GENERAL TOLERANCES +/- 0.2		TITLE: ASSEMBLY DRG FOR RECESS DESIGNER CASE SIZE 2 GREY	
FINISH. LIGHT SPARK		MATERIAL. UL 94 - V0 ABS		DWG NO. CRDCG0002	A4
DRAWN	NAME IAN PAGANO	SIGNED I.P.	DATE 24/09/13	SCALE 1:2	SHEET 1 OF 1
CHKD	-	-	-	PROJECTION. 