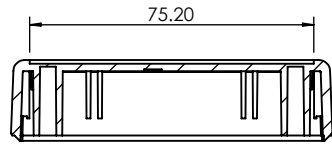


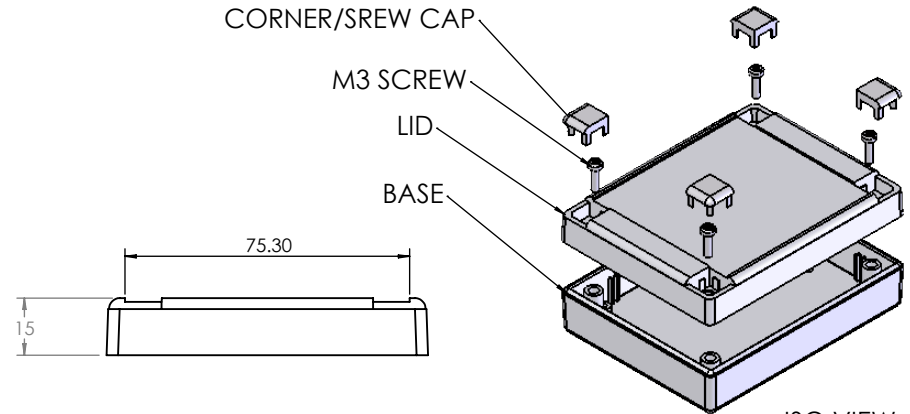
OVERALL ASSEMBLY DIMENSIONS:

EXTERNAL - 110 x 85 x 35

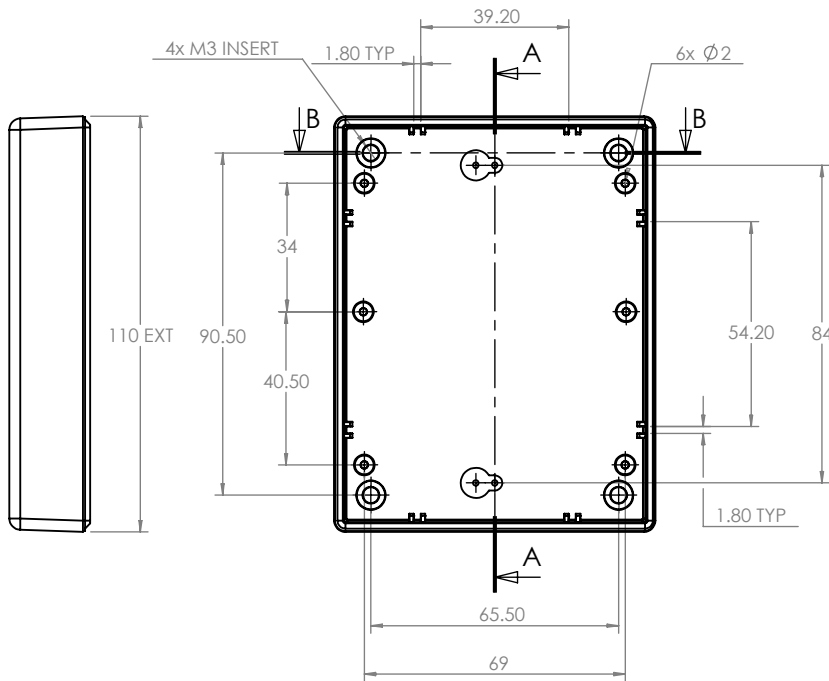
INTERNAL - 105 x 80 x 28.5



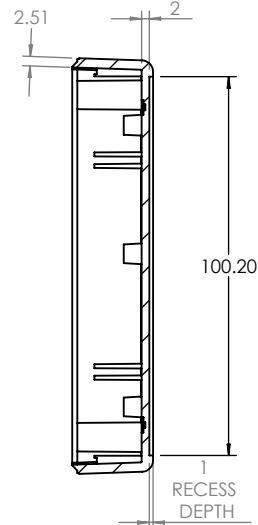
SECTION B-B



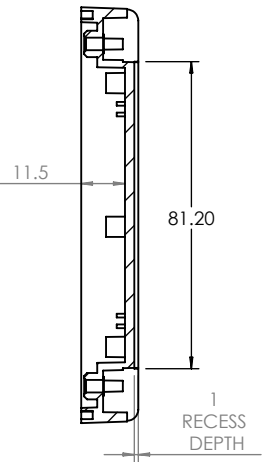
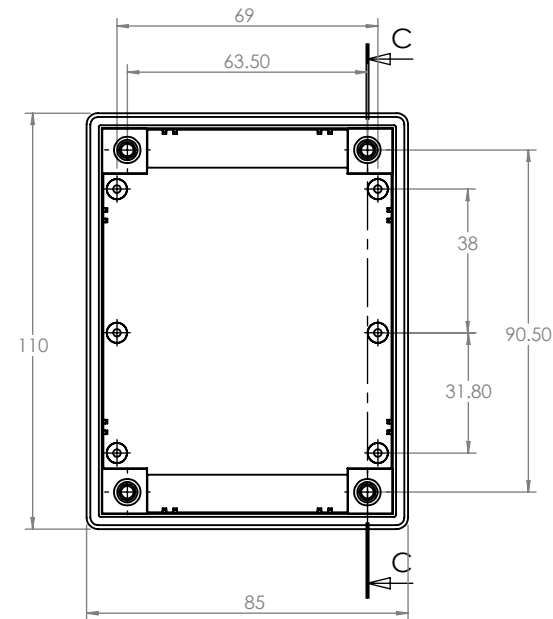
ISO VIEW
1:3



BASE

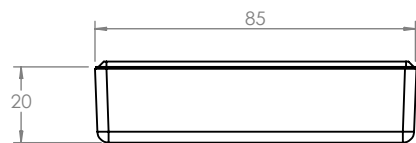




SECTION A-A



SECTION C-C

LID



 CAMDENBOSS JAMES CARTER RD, MILDENHALL, SUFFOLK. IP28 7DE TEL: 01638 716101 FAX: 01638 716554 EMAIL: Sales@CamdenBoss.com WEB: www.CamdenBoss.com		UNLESS OTHERWISE SPECIFIED: DIMENSIONS ARE IN MILLIMETERS		DO NOT SCALE DRAWING	REVISION. B
		GENERAL TOLERANCES +/- 0.2		TITLE: ASSEMBLY DRG FOR RECESS DESIGNER CASE SIZE 3 GREY	
FINISH. LIGHT SPARK		MATERIAL. UL 94 - V0 ABS		DWG NO. CRDCG0003	
DRAWN	NAME IAN PAGANO	SIGNED I.P.	DATE 24/09/13	SCALE. 1:2	
CHKD	-	-	-	SHEET 1 OF 1	
PROJECTION.					

A4