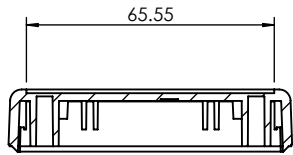


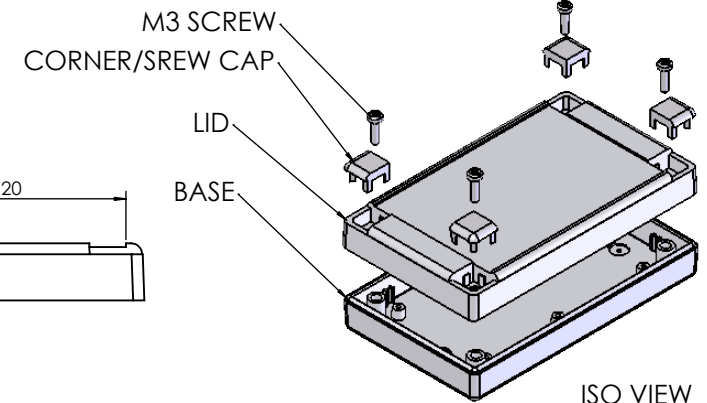
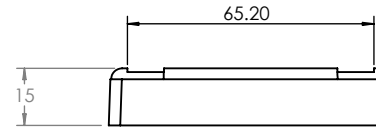
OVERALL ASSEMBLY DIMENSIONS:

EXTERNAL - 127 x 75 x 30

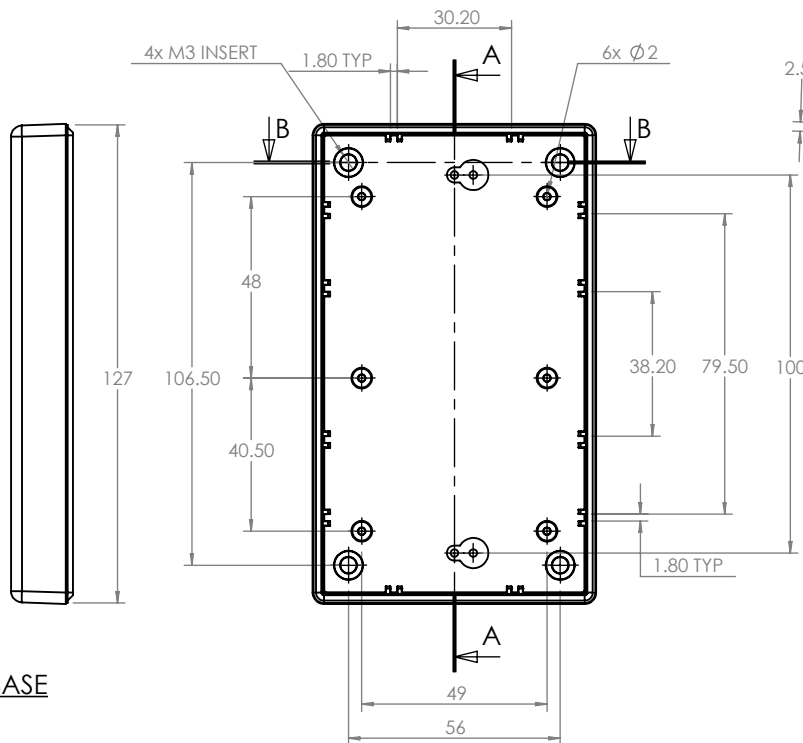
INTERNAL - 122 x 70 x 23.5



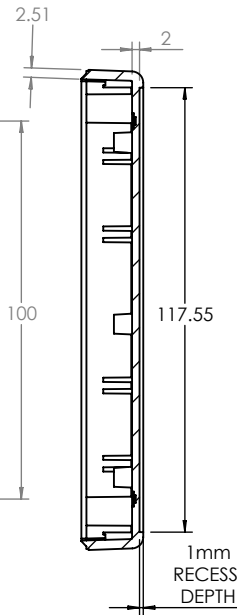
SECTION B-B



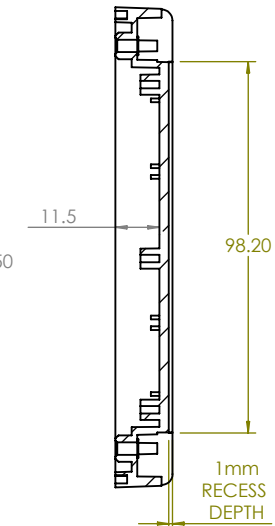
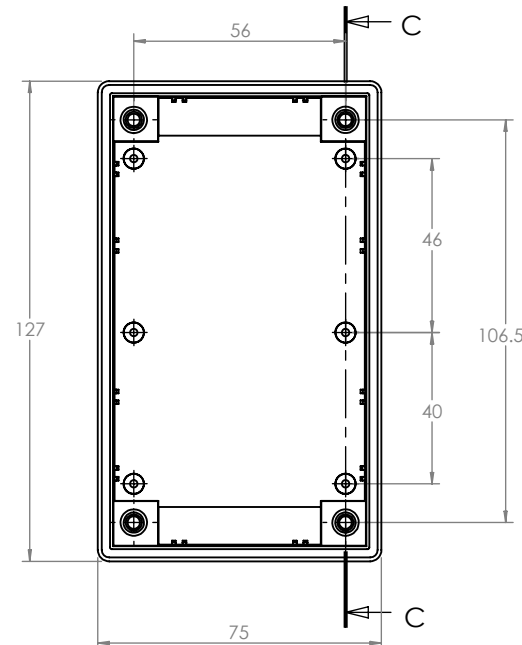
ISO VIEW
1:3



BASE

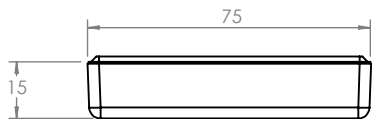



SECTION A-A



SECTION C-C

LID



 CAMDENBOSS JAMES CARTER RD, MILDENHALL, SUFFOLK. IP28 7DE TEL: 01638 716101 FAX: 01638 716554 EMAIL: Sales@CamdenBoss.com WEB: www.CamdenBoss.com				UNLESS OTHERWISE SPECIFIED: DIMENSIONS ARE IN MILLIMETERS		DO NOT SCALE DRAWING		REVISION: B	
				FINISH: LIGHT SPARK		TITLE: ASSEMBLY DRG FOR RECESS DESIGNER CASE SIZE 4 GREY			
MATERIAL: UL 94 - V0 ABS		DWG NO. CRDCG0004		A4					
DRAWN	IAN PAGANO	I.P.	20/01/14	PROJECTION.		SCALE: 1 : 2		SHEET 1 OF 1	
CHKD	-	-	-						