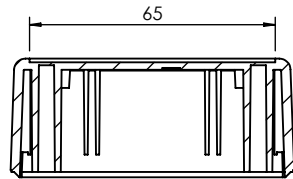


OVERALL ASSEMBLY DIMENSIONS:

EXTERNAL - 127 x 75 x 45

INTERNAL - 122 x 70 x 38.5



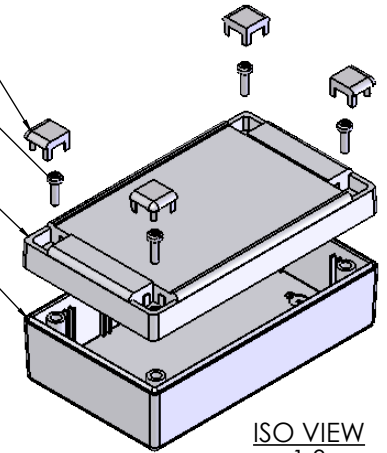
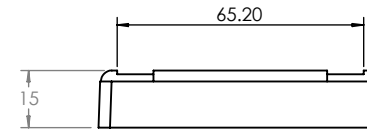
SECTION C-C

CORNER/SCREW CAP

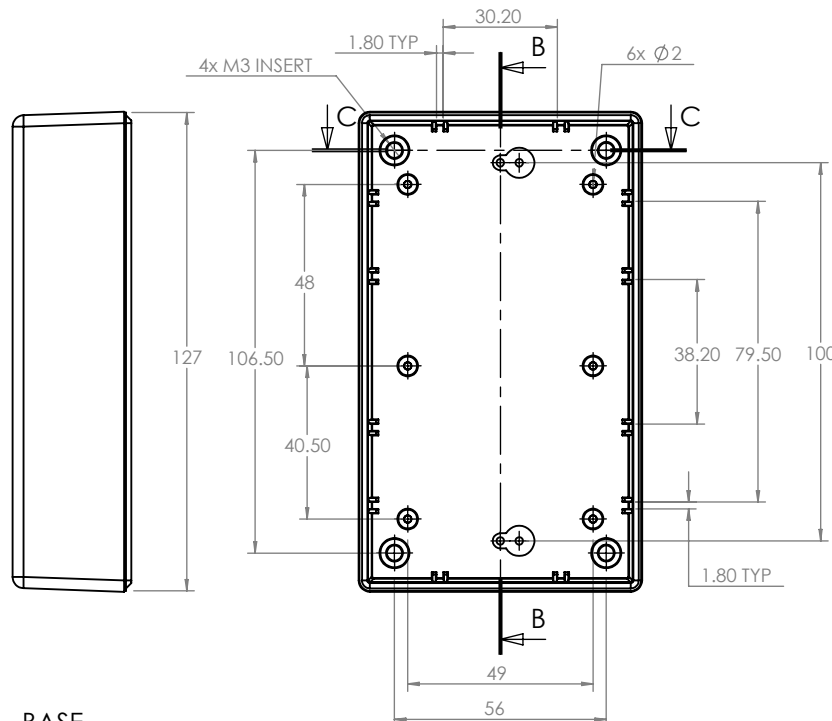
M3 SCREW

LID

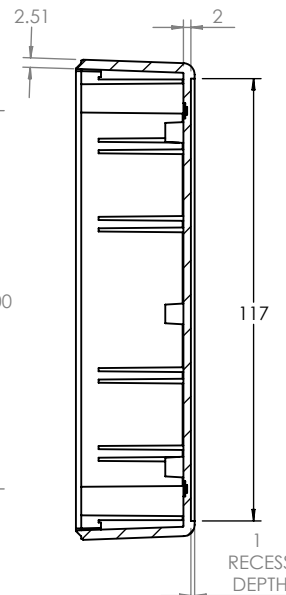
BASE



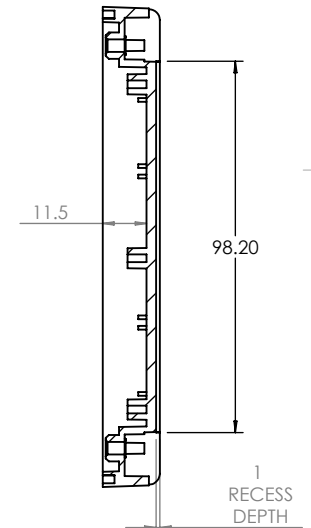
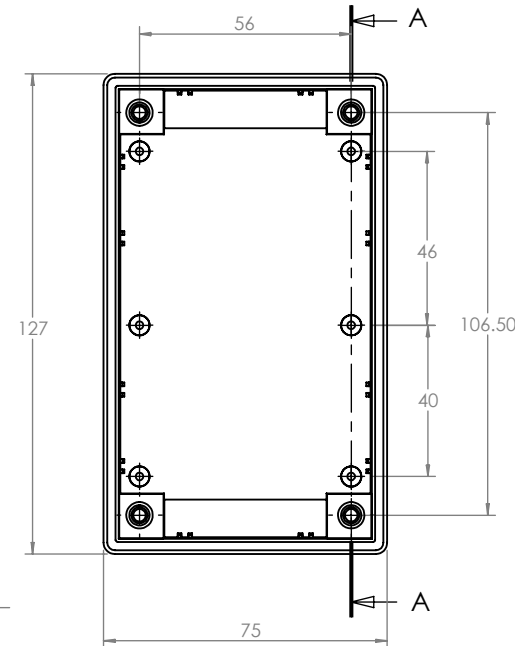
ISO VIEW
1:3



BASE

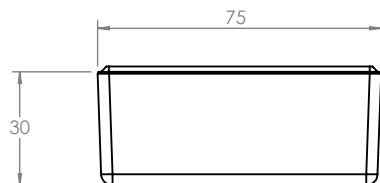



SECTION B-B



SECTION A-A

LID



 CAMDENBOSS JAMES CARTER RD, MILDENHALL, SUFFOLK. IP28 7DE TEL: 01638 716101 FAX: 01638 716554 EMAIL: Sales@CamdenBoss.com WEB: www.CamdenBoss.com				UNLESS OTHERWISE SPECIFIED: DIMENSIONS ARE IN MILLIMETERS		DO NOT SCALE DRAWING		REVISION. B	
				GENERAL TOLERANCES +/- 0.2		TITLE: ASSEMBLY DRG FOR RECESS DESIGNER CASE SIZE 5 GREY			
FINISH. LIGHT SPARK				MATERIAL. UL - 94 V0 ABS		DWG NO. CRDCG0005		A4	
DRAWN	NAME IAN PAGANO	SIGNED I.P.	DATE 19/10/15	PROJECTION.		SCALE. 1:2		SHEET 1 OF 1	