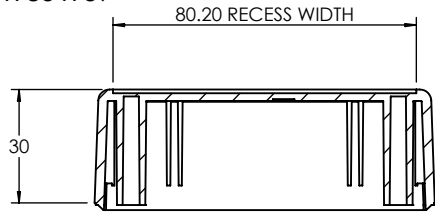


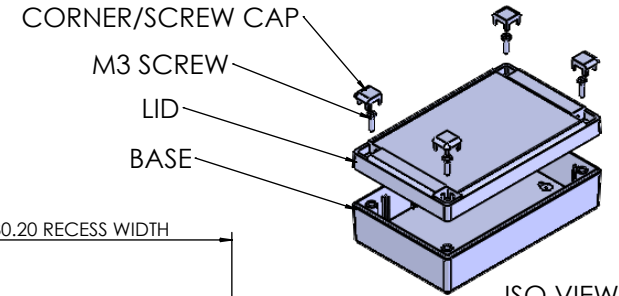
OVERALL ASSEMBLY DIMENSIONS:

EXTERNAL - 145 x 90 x 45.5

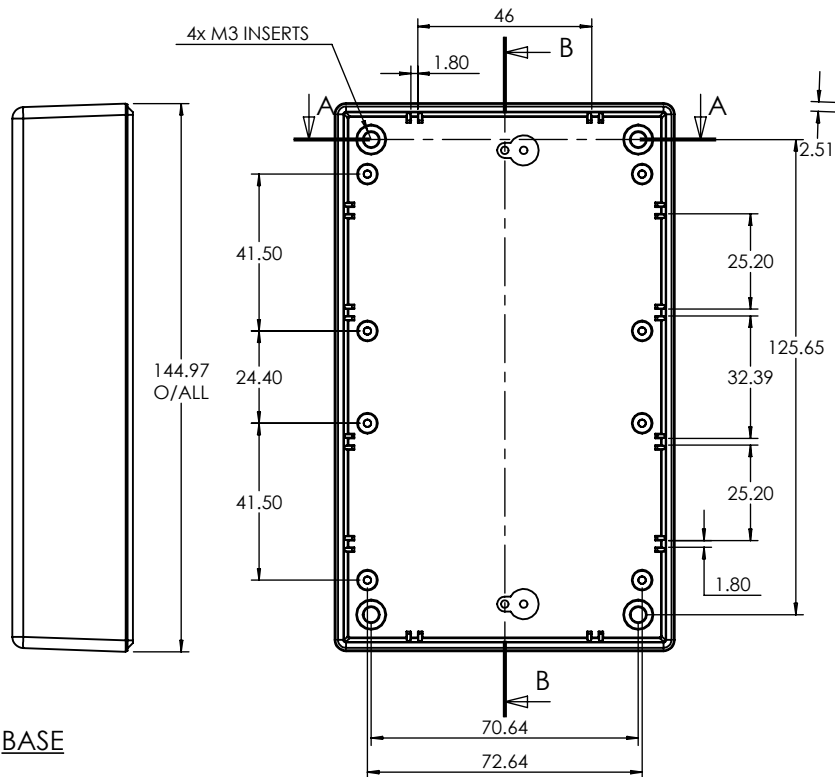
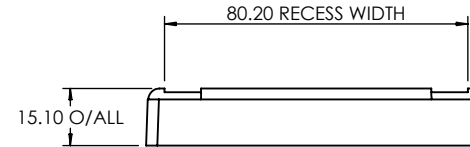
INTERNALS - 140 x 85 x 39



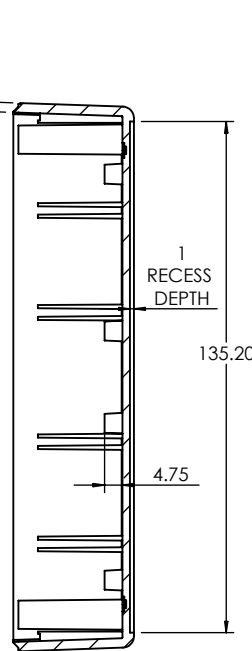
SECTION A-A  
SCALE 1 : 2



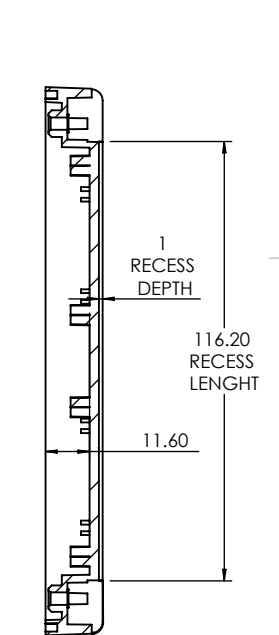
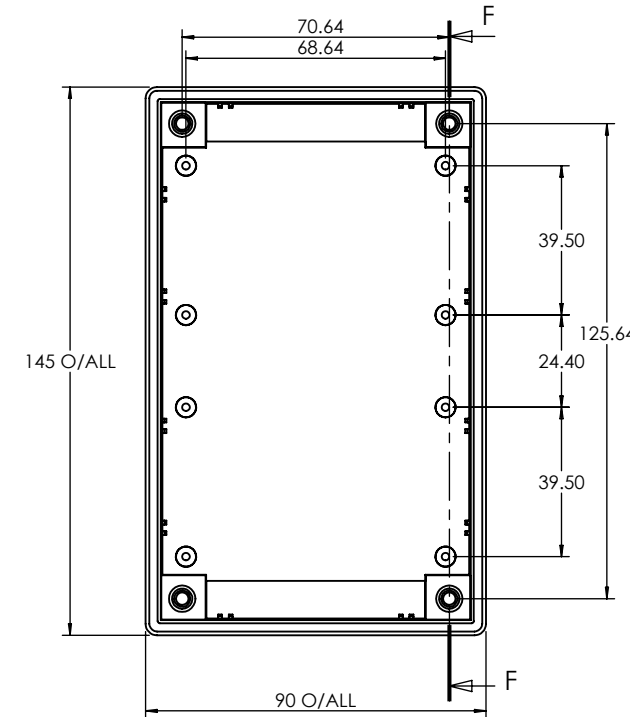
ISO VIEW  
1:5



BASE

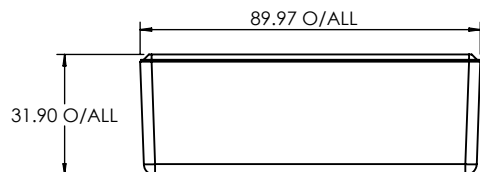



SECTION B-B  
SCALE 1 : 2



SECTION F-F  
SCALE 1 : 2

LID



 <b>CAMDENBOSS</b> JAMES CARTER RD, MILDENHALL, SUFFOLK. IP28 7DE TEL: 01638 716101 FAX: 01638 716554 EMAIL: Sales@CamdenBoss.com WEB: www.CamdenBoss.com				UNLESS OTHERWISE SPECIFIED: DIMENSIONS ARE IN MILLIMETERS		DO NOT SCALE DRAWING		REVISION. B	
				GENERAL TOLERANCES +/- 0.2		TITLE: ASSEMBLY DRG FOR RECESS DESIGNER CASE SIZE 6 GREY			
FINISH. LIGHT SPARK		MATERIAL. UL 94 - V0 ABS		DWG NO. CRDCG0006		A4			
DRAWN	NAME IAN PAGANO	SIGNED I.P.	DATE 20/01/14	PROJECTION.		SCALE. 1:2		SHEET 1 OF 1	