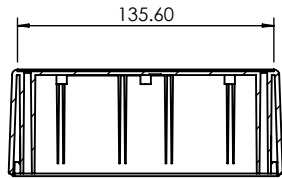


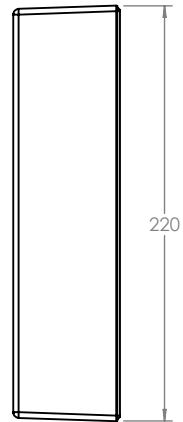
OVERALL ASSEMBLY DIMENSIONS:

EXTERNAL - 220 x 145 x 80

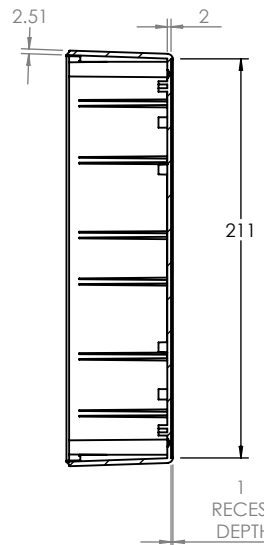
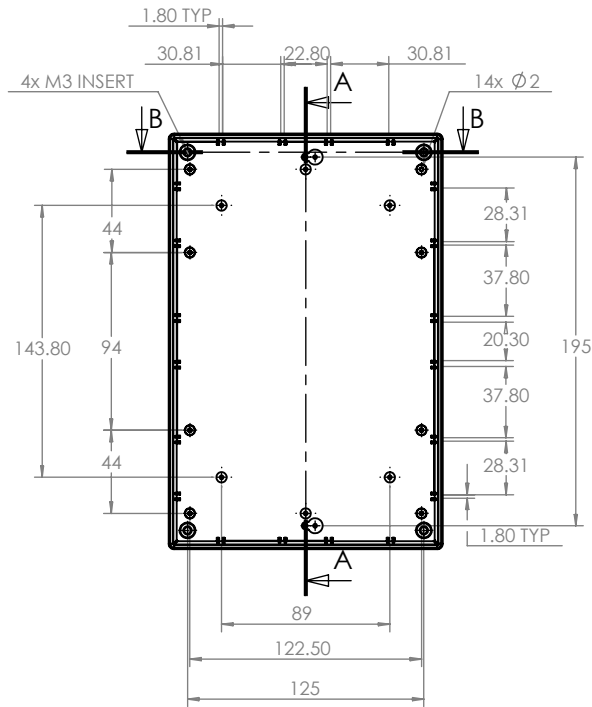
INTERNAL - 215 x 140 x 73.5



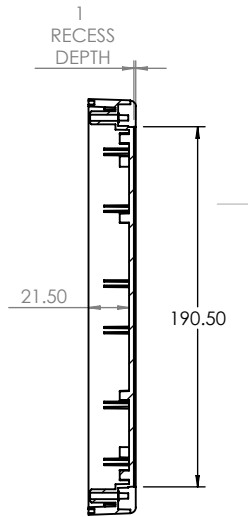
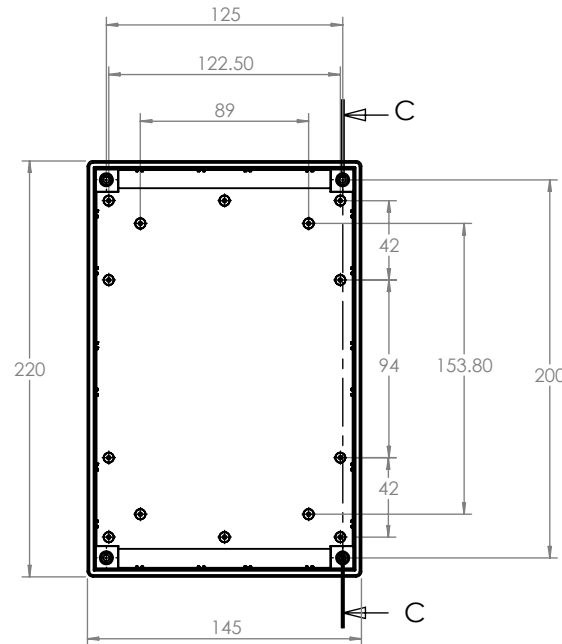
SECTION B-B



BASE



SECTION A-A



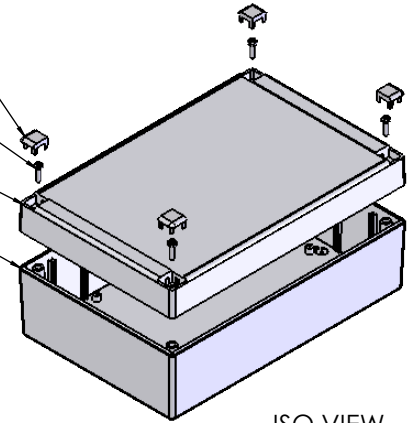
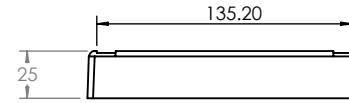
SECTION C-C

CORNER/SCREW CAP

SCREW

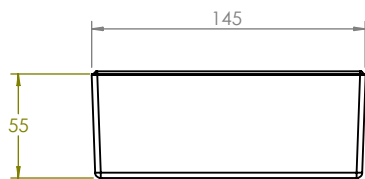
LID



BASE



ISO VIEW
1:5

LID



 CAMDENBOSS JAMES CARTER RD, MILDENHALL, SUFFOLK. IP28 7DE TEL: 01638 716101 FAX: 01638 716554 EMAIL: Sales@CamdenBoss.com WEB: www.CamdenBoss.com		UNLESS OTHERWISE SPECIFIED: DIMENSIONS ARE IN MILLIMETERS		DO NOT SCALE DRAWING	REVISION. B
		GENERAL TOLERANCES +/- 0.2		TITLE: ASSEMBLY DRG FOR RECESS DESIGNER CASE SIZE 9 GREY	
FINISH. LIGHT SPARK		MATERIAL. UL 94 - V0 ABS		DWG NO. CRDCG0009	A4
DRAWN	IAN PAGANO	SIGNED	I.P.	DATE	19/10/15
CHK'D	-	-	-	-	-
PROJECTION.				SCALE. 1:4	SHEET 1 OF 1