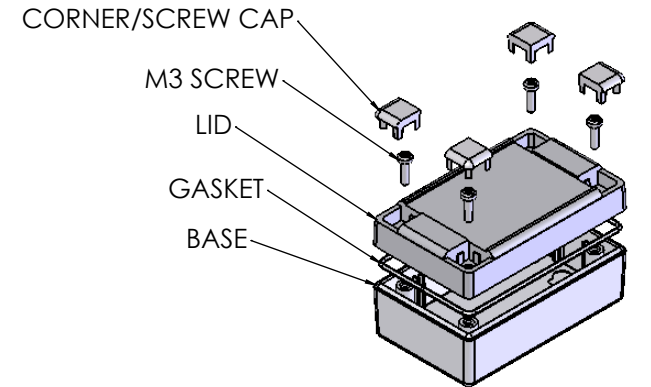


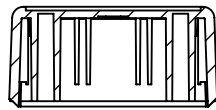
OVERALL ASSEMBLY DIMENSIONS:

EXTRENAL - 90 x 55 x 40

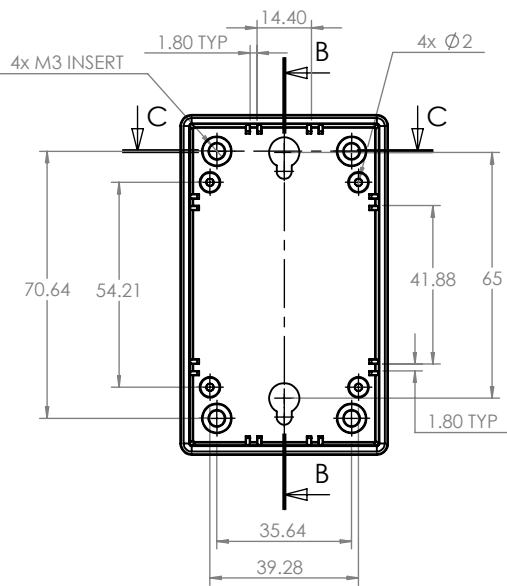
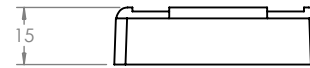
INTERNAL - 85 x 50 x 33.5



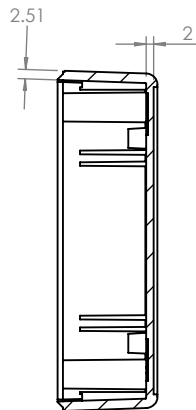
ISO VIEW  
1:3



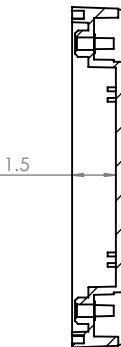
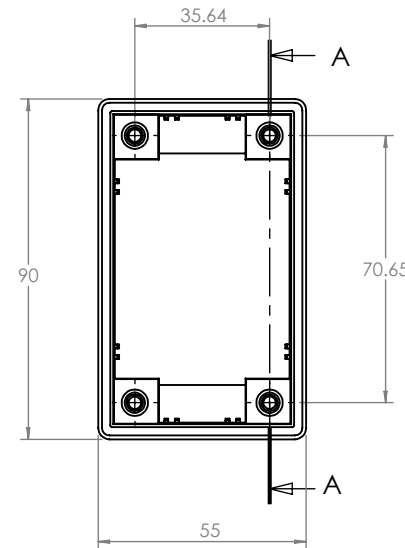
SECTION C-C



BASE

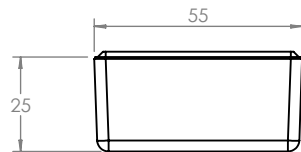


SECTION B-B



SECTION A-A

LID



<p><b>CAMDENBOSS</b> JAMES CARTER RD, MILDENHALL, SUFFOLK. IP28 7DE TEL: 01638 716101 FAX: 01638 716554 EMAIL: Sales@CamdenBoss.com WEB: www.CamdenBoss.com</p>		UNLESS OTHERWISE SPECIFIED: DIMENSIONS ARE IN MILLIMETERS		DO NOT SCALE DRAWING	REVISION. B
		GENERAL TOLERANCES +/- 0.2		TITLE: ASSEMBLY DRG FOR RECESS DESIGNER CASE SIZE 2 GREY	
DRAWN LEWIS LETCHFORD		MATERIAL. UL 94 - V0 ABS		DWG NO. CRDCGG002	
SIGNED L.L.		DATE 15/04/2014		SCALE. 1:2	
CHK'D -		PROJECTION.		SHEET 1 OF 1	

A4