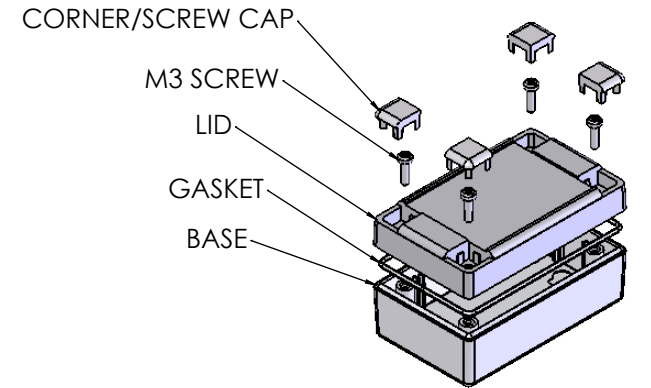


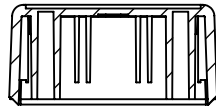
OVERALL ASSEMBLY DIMENSIONS:

EXTRENAL - 90 x 55 x 40

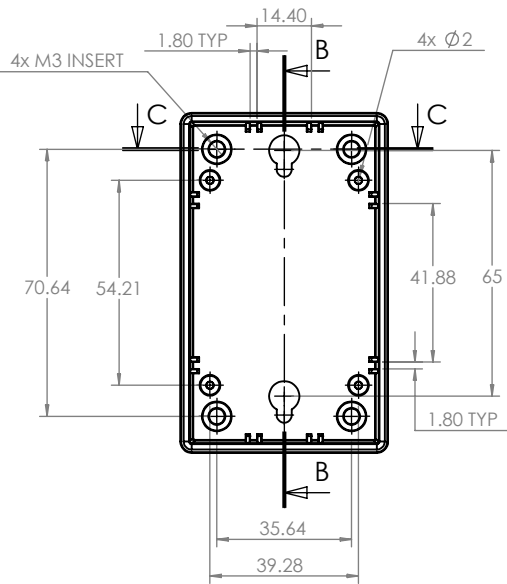
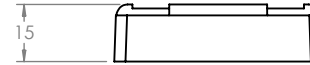
INTERNAL - 85 x 50 x 33.5



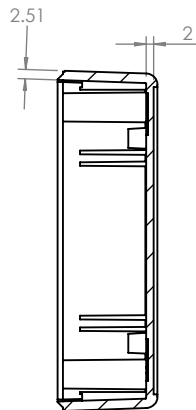
ISO VIEW
1:3



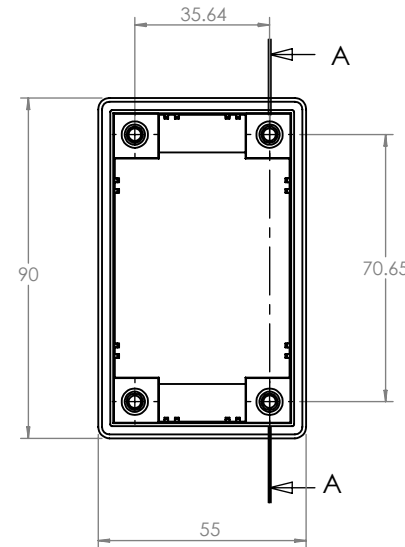
SECTION C-C



BASE

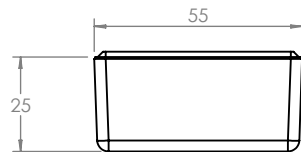


SECTION B-B



SECTION A-A

LID



<p>CAMDENBOSS JAMES CARTER RD, MILDENHALL, SUFFOLK. IP28 7DE TEL: 01638 716101 FAX: 01638 716554 EMAIL: Sales@CamdenBoss.com WEB: www.CamdenBoss.com</p>		UNLESS OTHERWISE SPECIFIED: DIMENSIONS ARE IN MILLIMETERS		DO NOT SCALE DRAWING	REVISION. B
		GENERAL TOLERANCES +/- 0.2		TITLE: ASSEMBLY DRG FOR RECESS DESIGNER CASE SIZE 2 GREY	
DRAWN LEWIS LETCHFORD L.L. 15/04/2014		MATERIAL. UL 94 - V0 ABS		DWG NO. CRDCGG002	
CHK'D - - -		PROJECTION.		SCALE. 1:2	SHEET 1 OF 1
				A4	