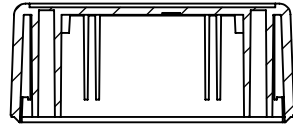


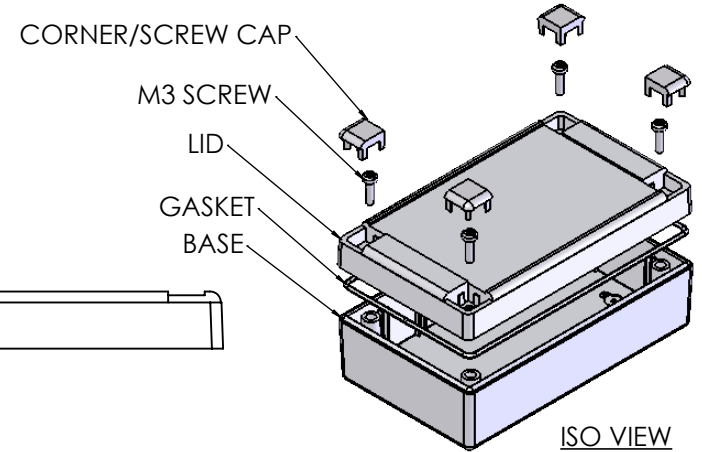
OVERALL ASSEMBLY DIMENSIONS:

EXTERNAL - 127 x 75 x 45

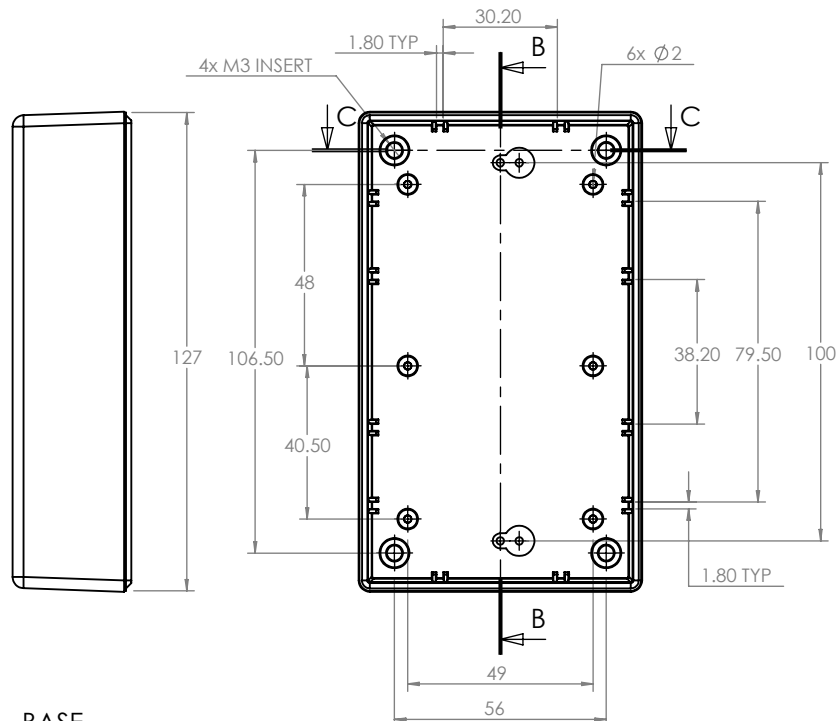
INTERNAL - 122 x 70 x 38.5



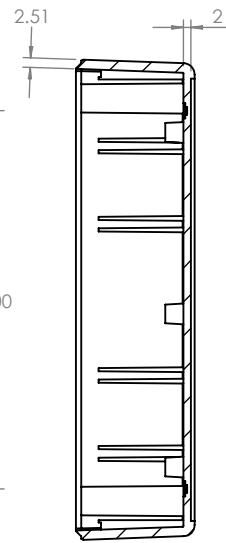
SECTION C-C



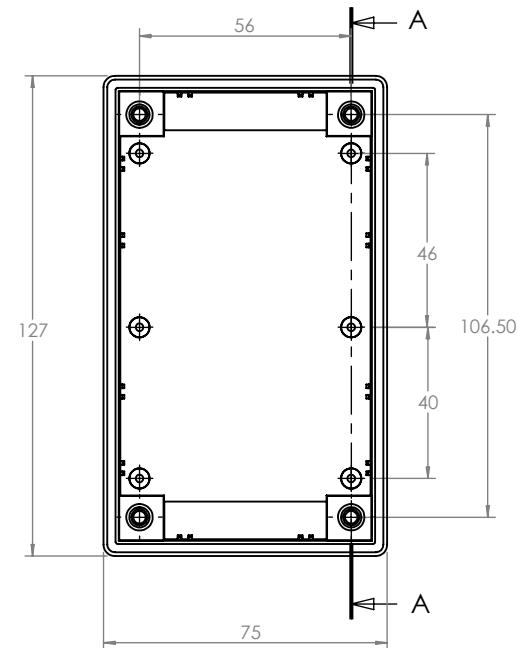
ISO VIEW  
1:3



BASE

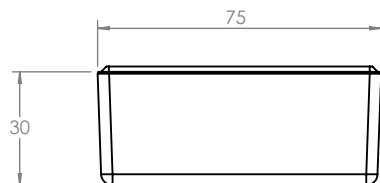




SECTION B-B



SECTION A-A

LID



 <b>CAMDENBOSS</b> JAMES CARTER RD, MILDENHALL, SUFFOLK. IP28 7DE TEL: 01638 716101 FAX: 01638 716554 EMAIL: Sales@CamdenBoss.com WEB: www.CamdenBoss.com		UNLESS OTHERWISE SPECIFIED: DIMENSIONS ARE IN MILLIMETERS		DO NOT SCALE DRAWING		REVISION. B	
		GENERAL TOLERANCES +/- 0.2		TITLE: ASSEMBLY DRG FOR RECESS DESIGNER CASE SIZE 5			
FINISH.		LIGHT SPARK		MATERIAL.		UL 94 - V0 ABS	
DRAWN	NAME	SIGNED	DATE	DWG NO.		CRDCGG005	
CHKD	IAN PAGANO	I.P.	24/09/13	SCALE: 1:2		SHEET 1 OF 1	
PROJECTION.						A4	