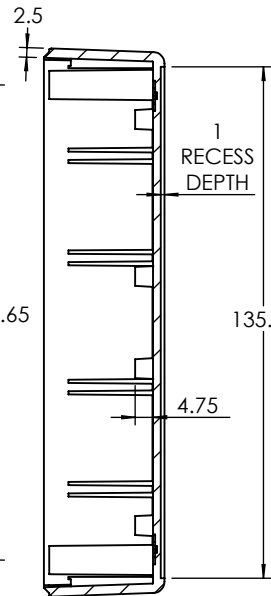
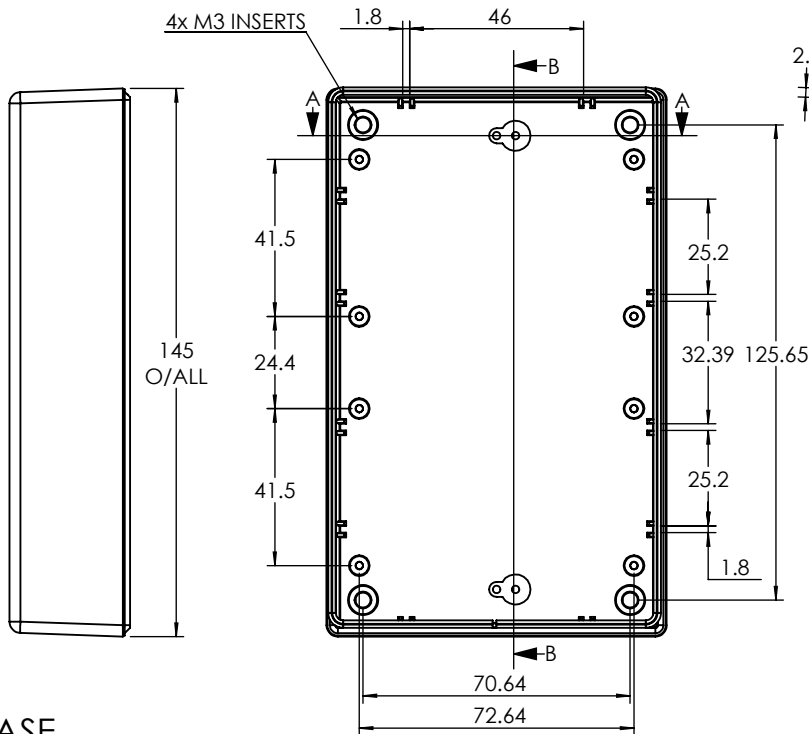
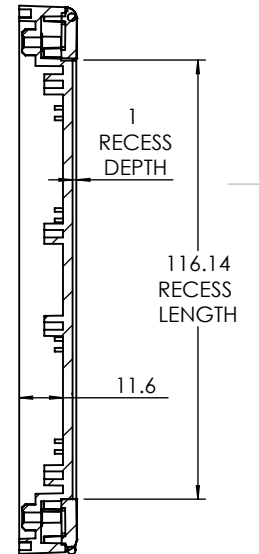
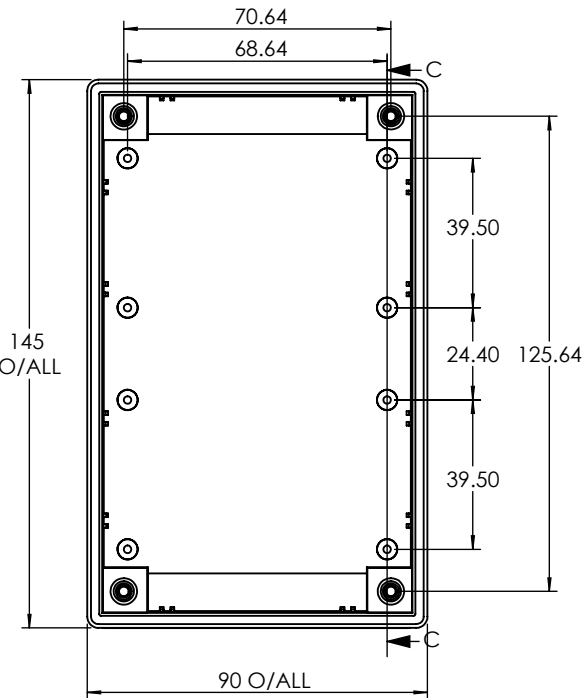


ISO VIEW  
1:5



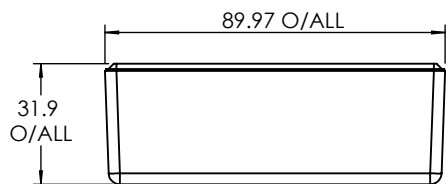
SECTION B-B





SECTION C-C

LID

BASE



 <b>CAMDENBOSS</b> JAMES CARTER RD, MILDENHALL, SUFFOLK. IP28 7DE TEL: 01638 716101 FAX: 01638 716554 EMAIL: Sales@CamdenBoss.com WEB: www.CamdenBoss.com		UNLESS OTHERWISE SPECIFIED: DIMENSIONS ARE IN MILLIMETERS	DO NOT SCALE DRAWING	REVISION. <b>B</b>
		GENERAL TOLERANCES +/- 0.2	TITLE: <b>ASSEMBLY DRG FOR RECESS DESIGNER CASE SIZE 6 GREY</b>	
FINISH. LIGHT SPARK		MATERIAL. UL 94 - V0 ABS	DWG NO. <b>CRDCGG006</b>	A4
DRAWN	LEWIS LETCHFORD	SIGNED	LL	DATE
CHKD	-	-	-	-
PROJECTION.				SCALE: 1:2
				SHEET 1 OF 1