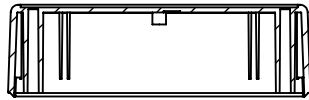


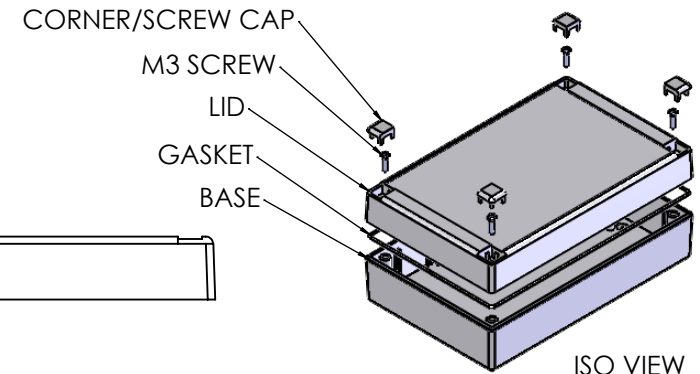
OVERALL ASSEMBLY DIMENSIONS:

EXTERNAL - 190 x 120 x 60

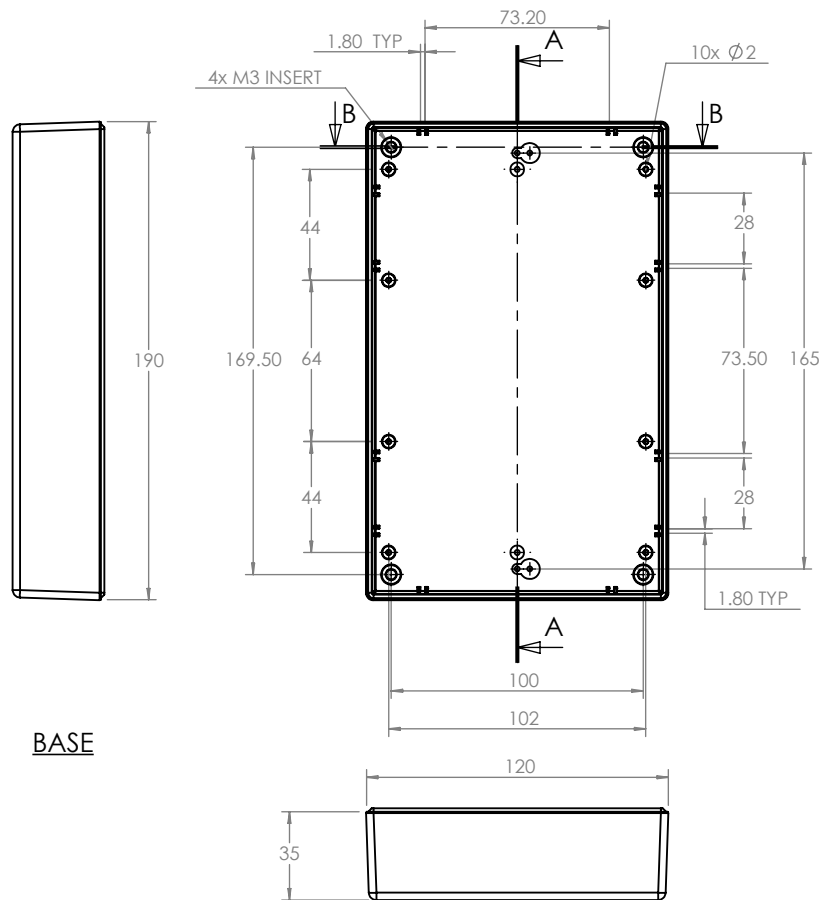
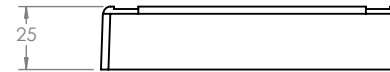
INTERNAL - 185 x 115 x 53.5



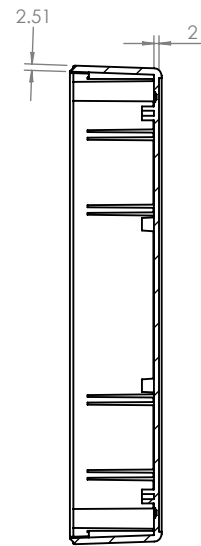
SECTION B-B



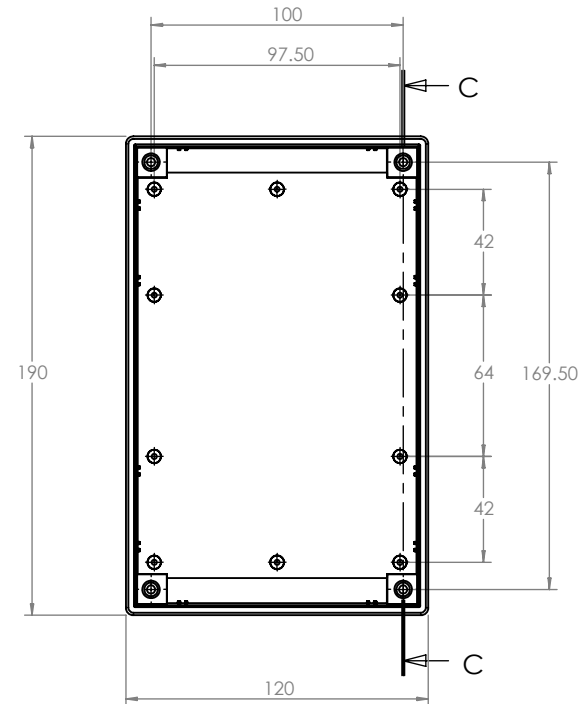
ISO VIEW  
1:5



BASE





SECTION A-A



SECTION C-C

LID

 <b>CAMDENBOSS</b> JAMES CARTER RD, MILDENHALL, SUFFOLK. IP28 7DE TEL: 01638 716101 FAX: 01638 716554 EMAIL: Sales@CamdenBoss.com WEB: www.CamdenBoss.com		UNLESS OTHERWISE SPECIFIED: DIMENSIONS ARE IN MILLIMETERS		DO NOT SCALE DRAWING	REVISION: C
		GENERAL TOLERANCES +/- 0.2		TITLE: ASSEMBLY DRG FOR RECESS DESIGNER CASE SIZE 7 GREY	
FINISH: LIGHT SPARK		MATERIAL: UL 94 - V0 ABS		DWG NO. CRDCGG007	A4
DRAWN	IAN PAGANO	SIGNED	I.P.	DATE	24/09/13
CHK'D	-	-	-	PROJECTION:	 SCALE: 1:3
				SHEET 1 OF 1	