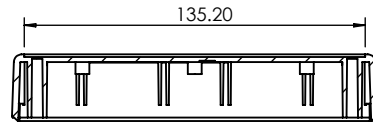


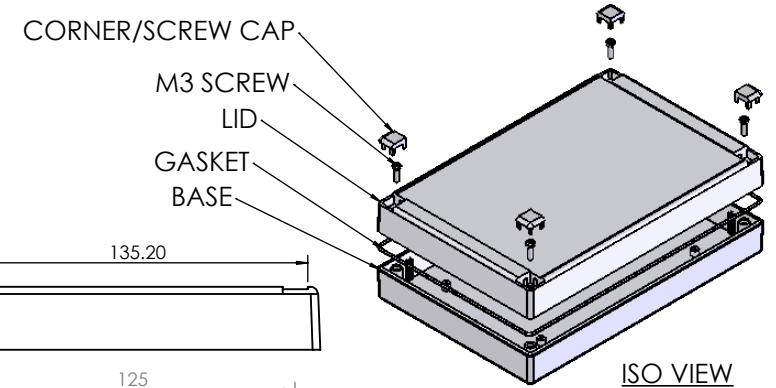
OVERALL ASSEMBLY DIMENSIONS:

EXTERNAL - 220 x 145 x 50

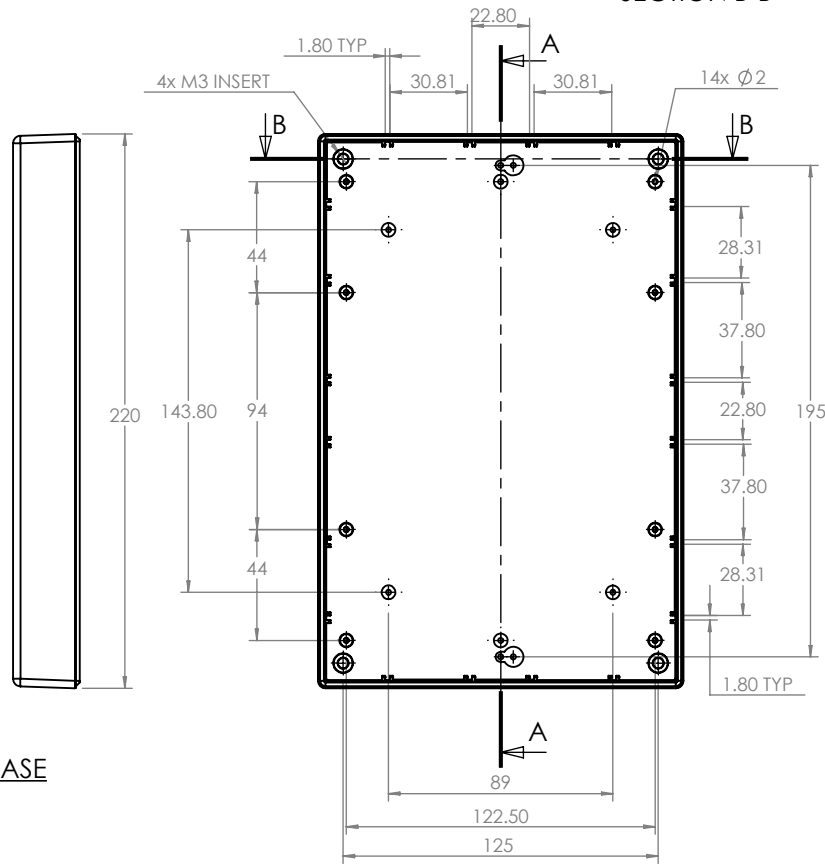
INTERNAL - 215 x 140 x 43.5



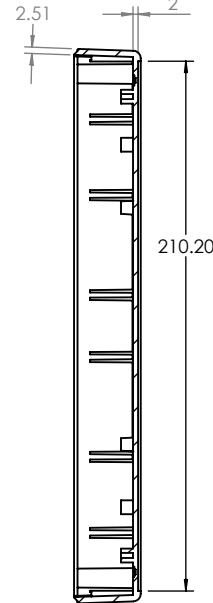
SECTION B-B



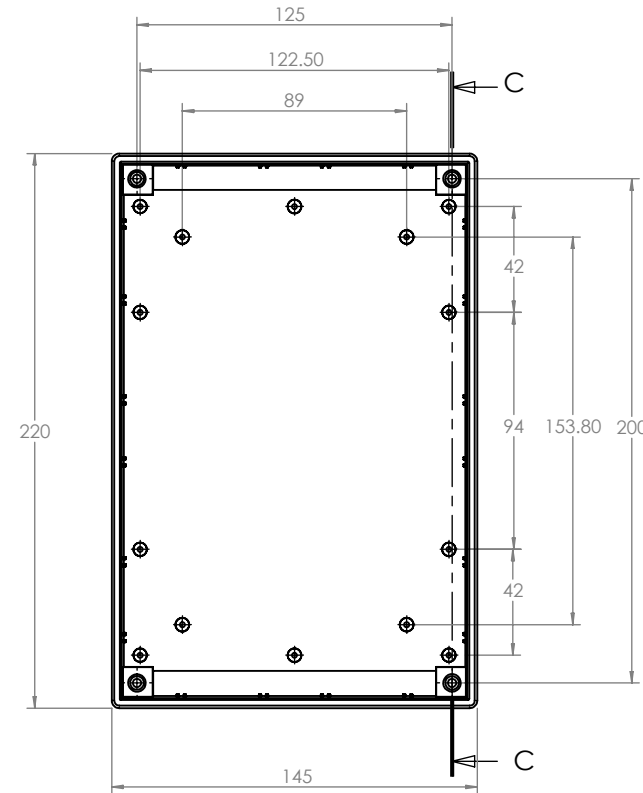
ISO VIEW
1:5



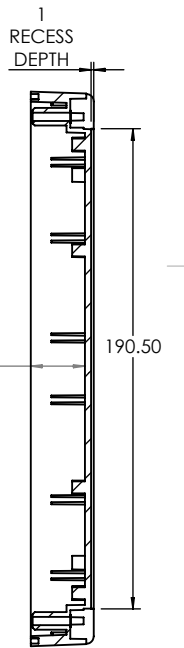
BASE





SECTION A-A



SECTION C-C



LID

 CAMDENBOSS JAMES CARTER RD, MILDENHALL, SUFFOLK. IP28 7DE TEL: 01638 716101 FAX: 01638 716554 EMAIL: Sales@CamdenBoss.com WEB: www.CamdenBoss.com				UNLESS OTHERWISE SPECIFIED: DIMENSIONS ARE IN MILLIMETERS		DO NOT SCALE DRAWING		REVISION. B	
				GENERAL TOLERANCES +/- 0.2		TITLE: ASSEMBLY DRG FOR RECESSED DESINGER CASE GREY SIZE 8			
FINISH. LIGHT SPARK				MATERIAL. UL - 94 HB ABS		DWG NO.		CRDCGG008	
DRAWN	NAME	SIGNED	DATE	PROJECTION.		SCALE. 1:3		SHEET 1 OF 1	
CHKD	IAN PAGANO	I.P.	24/09/13					A4	