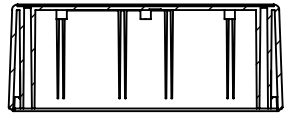


OVERALL ASSEMBLY DIMENSIONS:

EXTERNAL - 220 x 145 x 80

INTERNAL - 215 x 140 x 73.5



SECTION B-B

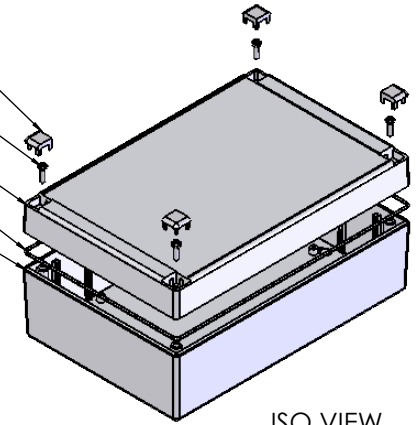
CORNER/SCREW CAP

M3 SCREW

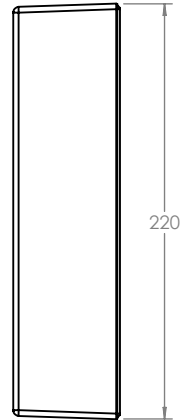
LID

GASKET

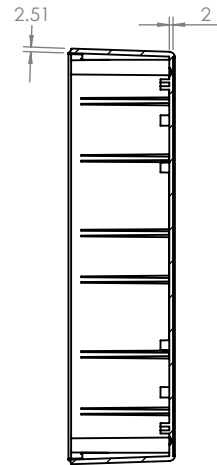
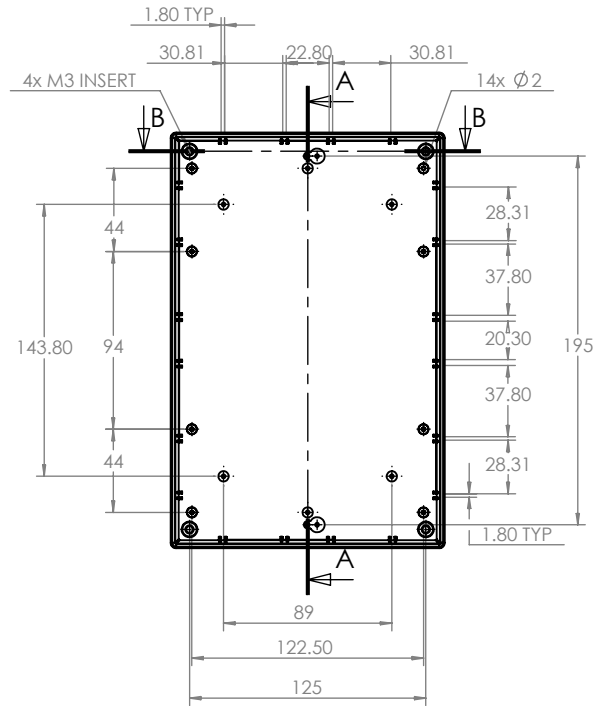
BASE



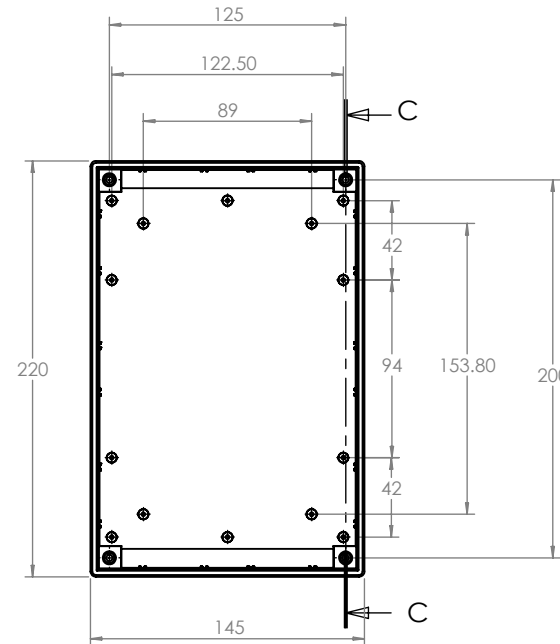
ISO VIEW
1:5



BASE

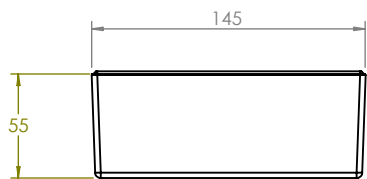



SECTION A-A



SECTION C-C

LID



 CAMDENBOSS JAMES CARTER RD, MILDENHALL, SUFFOLK. IP28 7DE TEL: 01638 716101 FAX: 01638 716554 EMAIL: Sales@CamdenBoss.com WEB: www.CamdenBoss.com				UNLESS OTHERWISE SPECIFIED: DIMENSIONS ARE IN MILLIMETERS		DO NOT SCALE DRAWING		REVISION. B	
				GENERAL TOLERANCES +/- 0.2		TITLE: ASSEMBLY DRG FOR RECESS DESIGNER CASE SIZE 9 GREY			
FINISH. LIGHT SPARK				MATERIAL. UL 94 - V0 ABS		DWG NO. CRDCGG009		A4	
DRAWN	NAME	SIGNED	DATE	PROJECTION.		SCALE. 1:4		SHEET 1 OF 1	
CHKD	IAN PAGANO	I.P.	24/09/13	