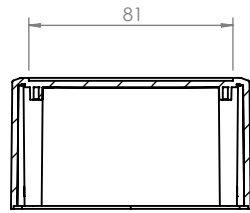


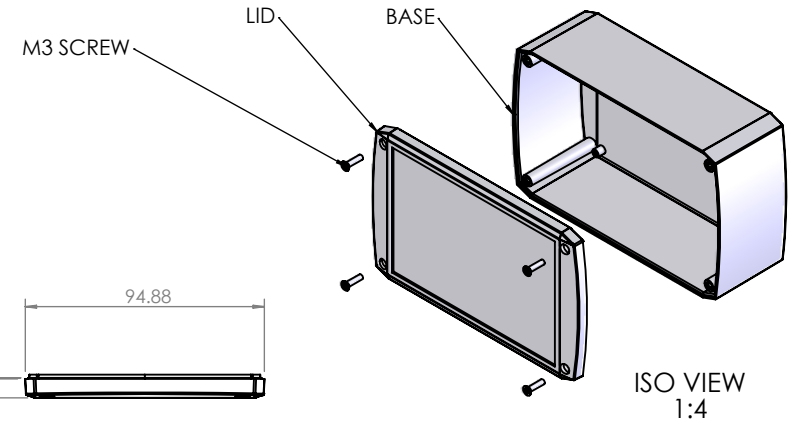
OVERALL ASSEMBLY DIMENSIONS:

EXTERNAL - 155 x 95 x 60

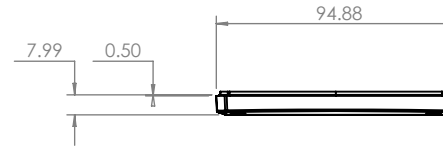
INTERNAL - 150 x 90 x 52.5



SECTION B-B



ISO VIEW  
1:4



A

A

B

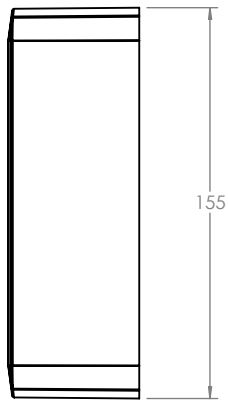
B

C

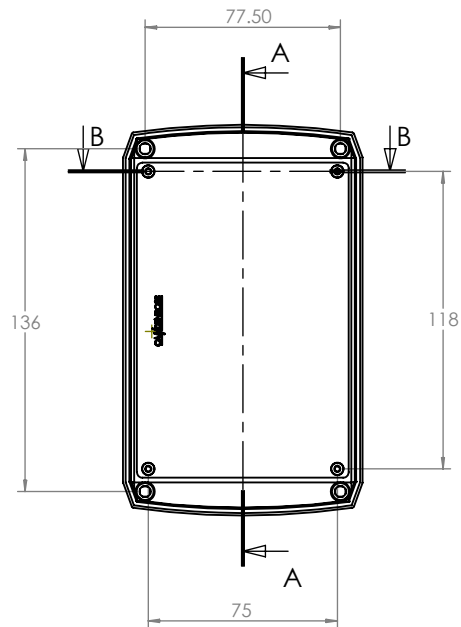
C

D

D

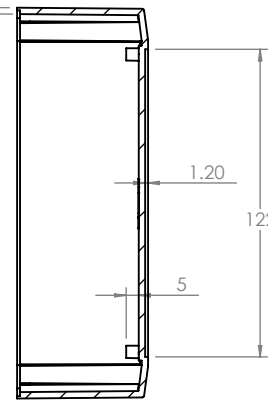


BASE

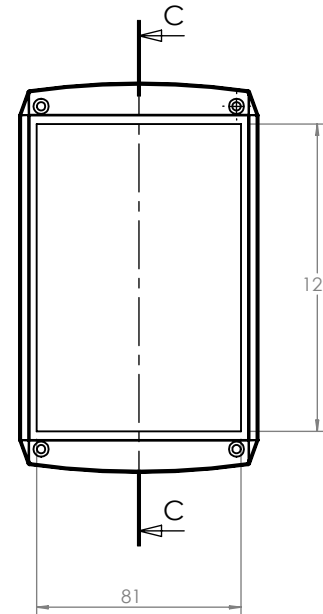


SECTION A-A

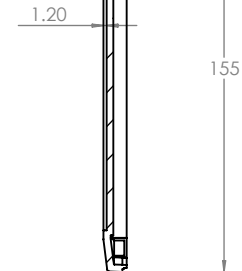
GNL WALL THK  
2.50



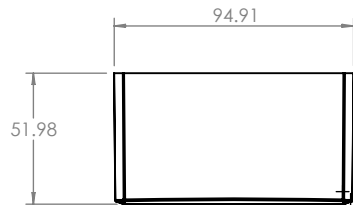
SECTION A-A





SECTION C-C



LID



 <b>CAMDENBOSS</b> JAMES CARTER RD, MILDENHALL, SUFFOLK. IP28 7DE TEL: 01638 716101 FAX: 01638 716554 EMAIL: Sales@CamdenBoss.com WEB: www.CamdenBoss.com				UNLESS OTHERWISE SPECIFIED: DIMENSIONS ARE IN MILLIMETERS		DO NOT SCALE DRAWING		REVISION. 0		
				FINISH. <b>SMOOTH</b>		TITLE: <b>GNL ASSEMBLY DRG FOR 1101 SERIES - CSACST004</b>				
DRAWN		NAME	SIGNED	DATE	MATERIAL. <b>ABS</b>		DWG NO. <b>CSACST004</b>		A4	
CHKD		-	-	-	PROJECTION. 		SCALE. 1 : 3		SHEET 1 OF 1	