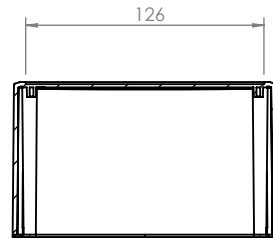
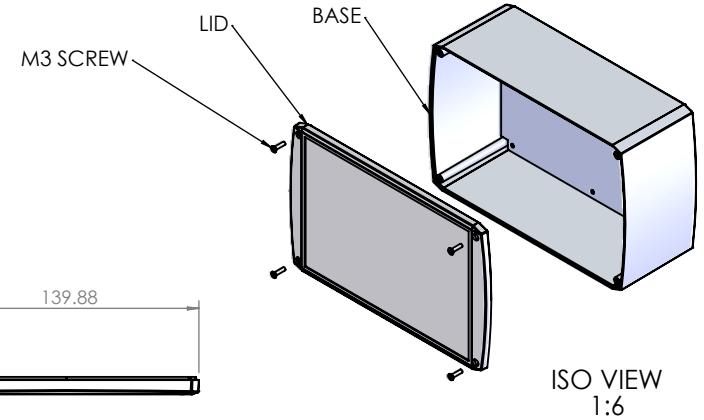


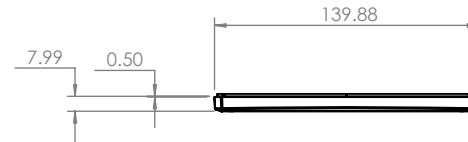
OVERALL ASSEMBLY DIMENSIONS:

EXTERNAL - 220 x 140 x 90

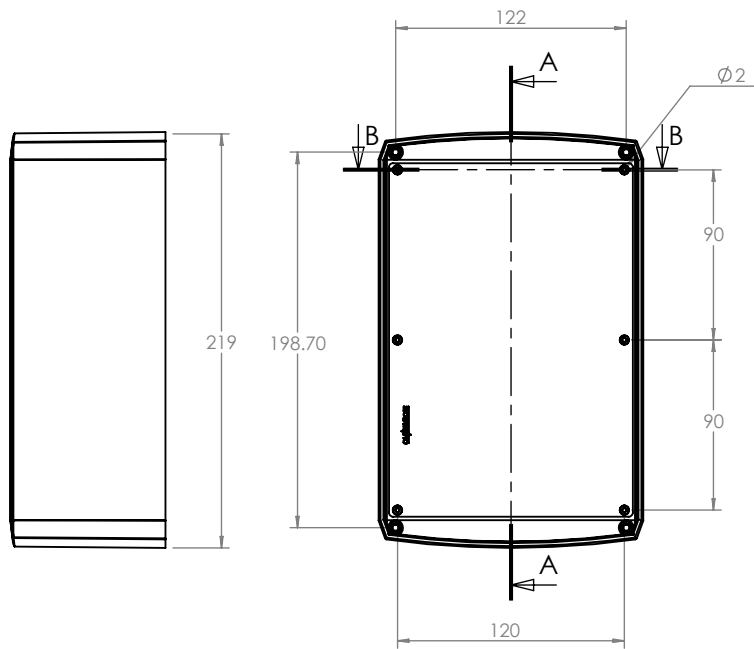
INTERNAL - 215 x 135 x 82.5



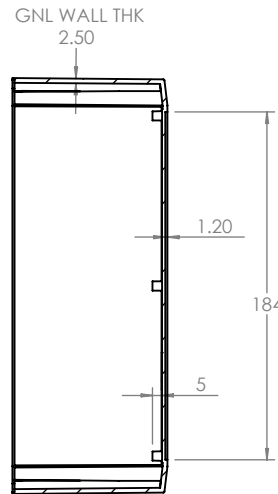
SECTION B-B



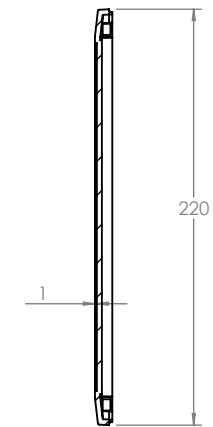
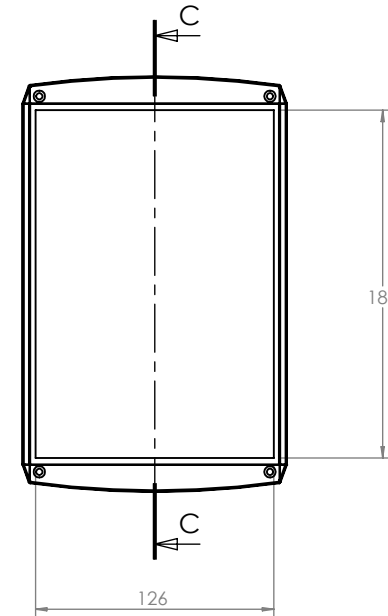
ISO VIEW
1:6



BASE

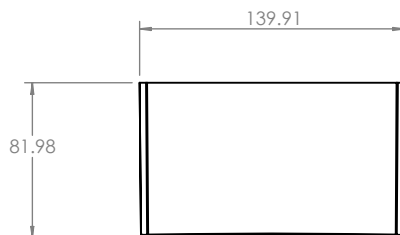




SECTION A-A



SECTION C-C

LID



 CAMDENBOSS JAMES CARTER RD, MILDENHALL, SUFFOLK. IP28 7DE TEL: 01638 716101 FAX: 01638 716554 EMAIL: Sales@CamdenBoss.com WEB: www.CamdenBoss.com				UNLESS OTHERWISE SPECIFIED: DIMENSIONS ARE IN MILLIMETERS		DO NOT SCALE DRAWING		REVISION: 0		
				FINISH: SMOOTH		TITLE: GNL ASSEMBLY DRG FOR 1101 SERIES - CSACST006				
DRAWN IAN PAGANO		SIGNED I.P.		DATE 06/08/13		MATERIAL: ABS		DWG NO. CSACST006		A4
CHK'D -		-		-		PROJECTION: 		SCALE: 1 : 4		SHEET 1 OF 1