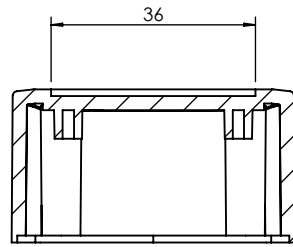


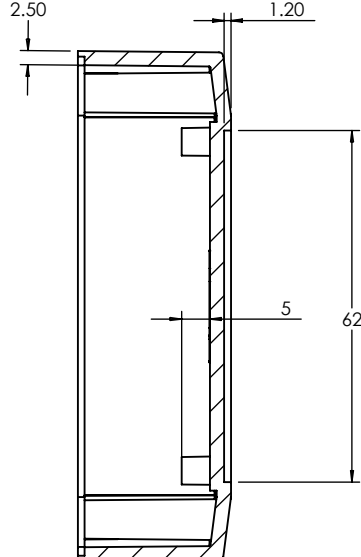
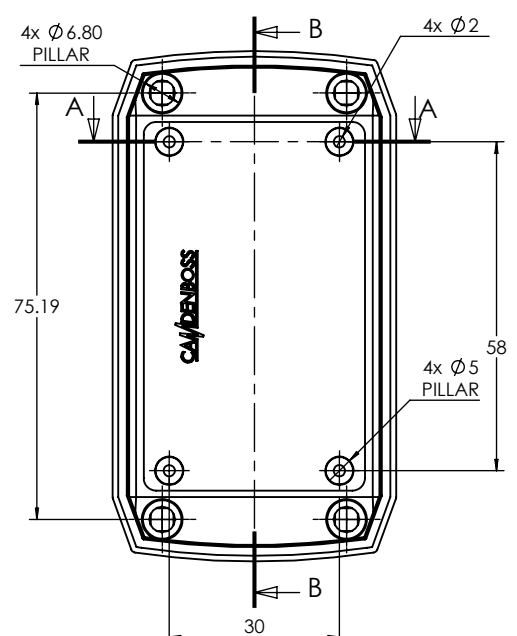
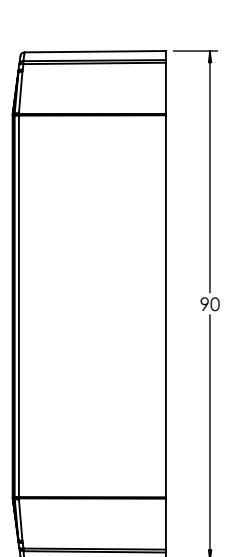
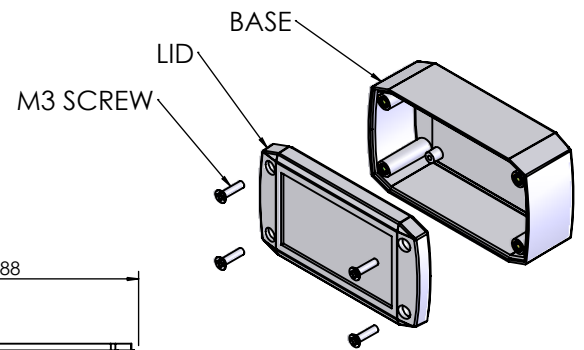
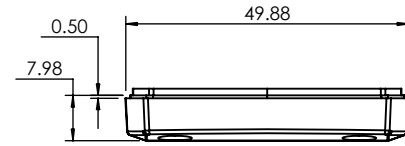
OVERALL ASSEMBLY DIMENSIONS:

EXTERNAL - 90 x 50 x 35

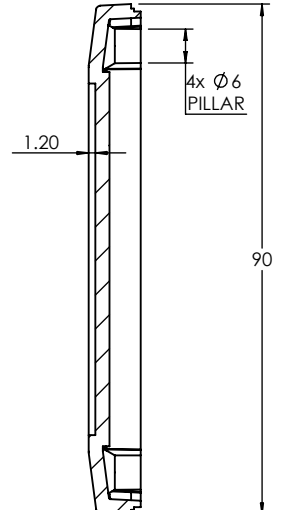
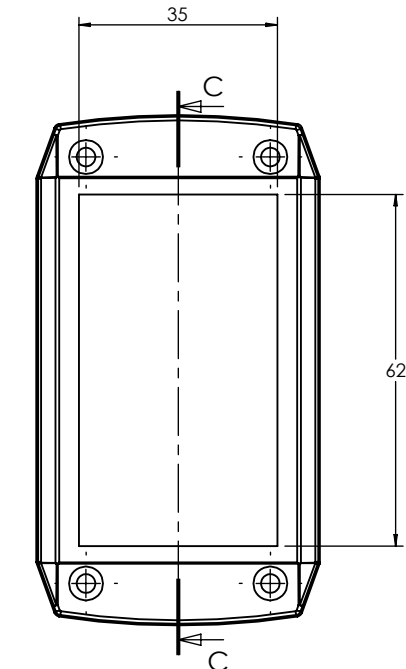
INTERNAL - 85 x 45 x 27.5



SECTION A-A

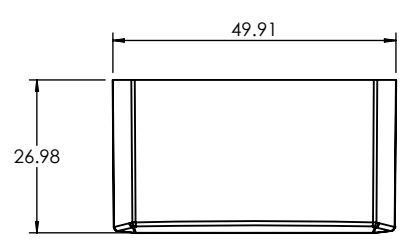


SECTION B-B





SECTION C-C

BASE



LID

 CAMDENBOSS JAMES CARTER RD, MILDENHALL, SUFFOLK, IP28 7DE TEL: 01638 716101 FAX: 01638 716554 EMAIL: Sales@CamdenBoss.com WEB: www.CamdenBoss.com				UNLESS OTHERWISE SPECIFIED: DIMENSIONS ARE IN MILLIMETERS		DO NOT SCALE DRAWING		REVISION. 0	
				FINISH: SMOOTH		TITLE: GNL ASSEMBLY DRG FOR 1101 SERIES - CSACT001			
DRAWN IAN PAGANO		SIGNED I.P.	DATE 06/08/13	MATERIAL. ABS & POLYCARBONATE		DWG NO. CSACTT001		A4	
CHK'D -		-	-	PROJECTION. 		SCALE: 3 : 4		SHEET 1 OF 1	