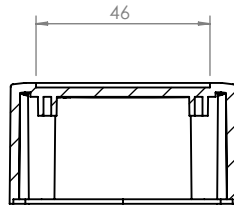
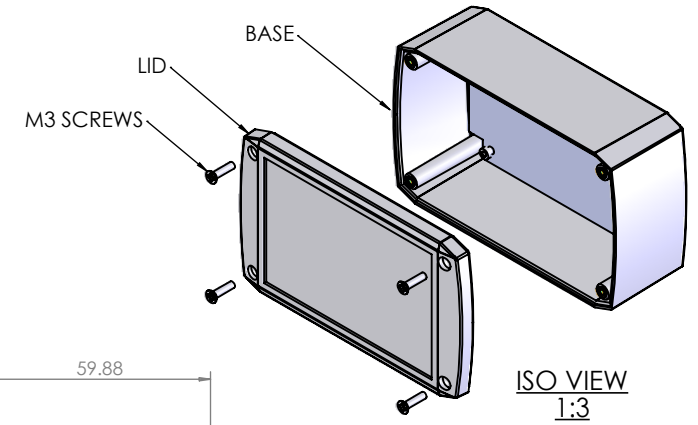


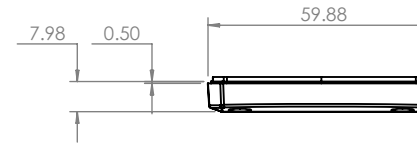
OVERALL ASSEMBLY DIMENSIONS:

EXTERNAL - 110 x 60 x 40

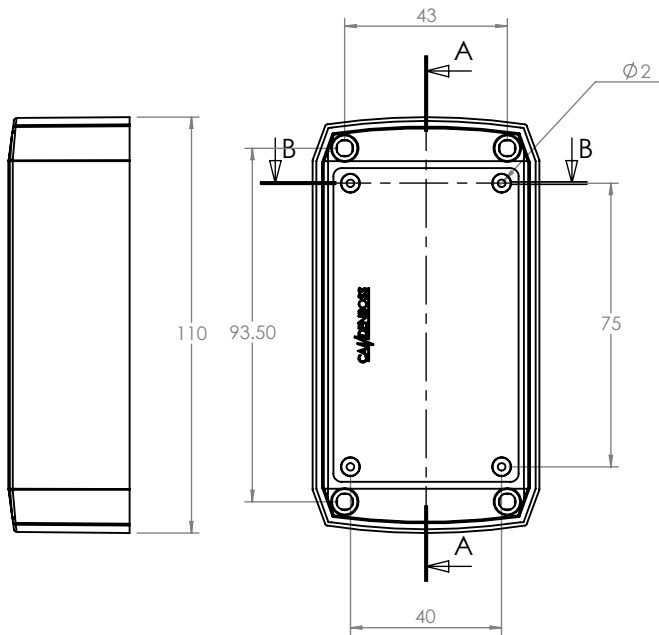
INTERNAL - 105 x 55 x 32.5



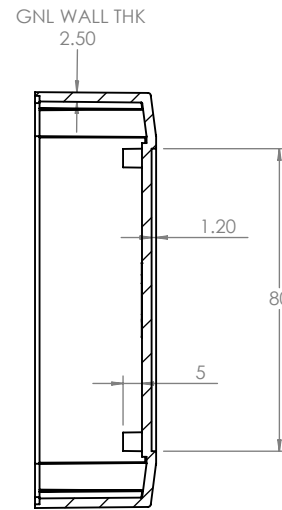
SECTION B-B



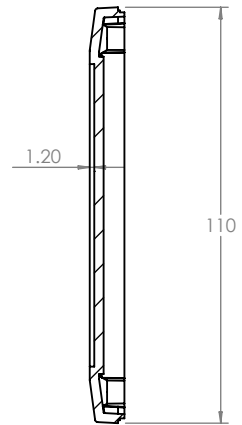
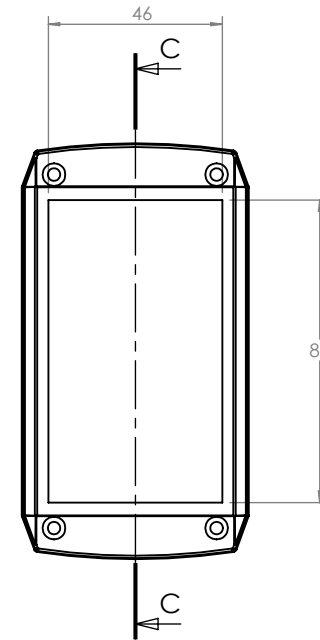
ISO VIEW
1:3



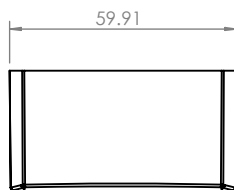
BASE





SECTION A-A



SECTION C-C LID



 CAMDENBOSS JAMES CARTER RD, MILDENHALL, SUFFOLK. IP28 7DE TEL: 01638 716101 FAX: 01638 716554 EMAIL: Sales@CamdenBoss.com WEB: www.CamdenBoss.com				UNLESS OTHERWISE SPECIFIED: DIMENSIONS ARE IN MILLIMETERS		DO NOT SCALE DRAWING		REVISION: 0	
				FINISH: SMOOTH		TITLE: GNL ASSEMBLY DRG FOR 1101 SERIES - CSACT002			
DRAWN IAN PAGANO		SIGNED I.P.		DATE 17/06/13		MATERIAL: ABS & POLYCARBONATE		DWG NO. CSACTT002	
CHKD -		-		-		PROJECTION: 		SCALE: 1 : 2	
								SHEET 1 OF 1	

A4