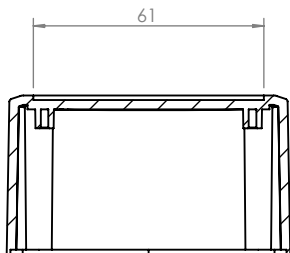


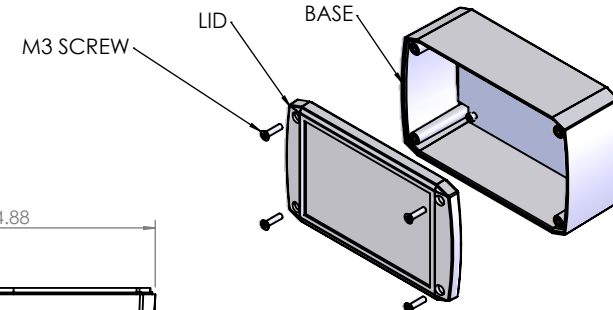
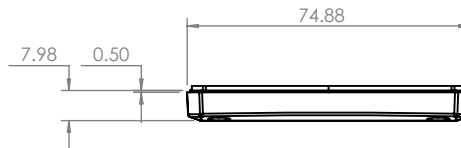
OVERALL ASSEMBLY DIMENSIONS:

EXTERNAL - 125 x 75 x 50

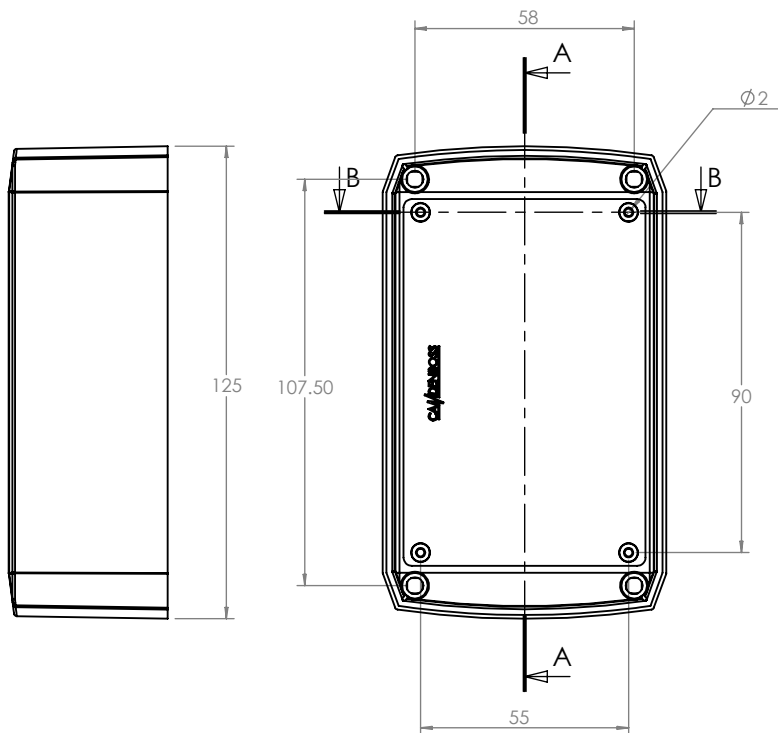
INTERNAL - 120 x 70 x 42.5



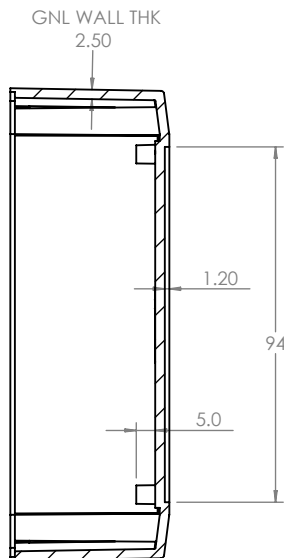
SECTION B-B



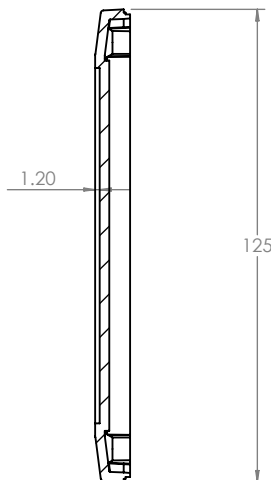
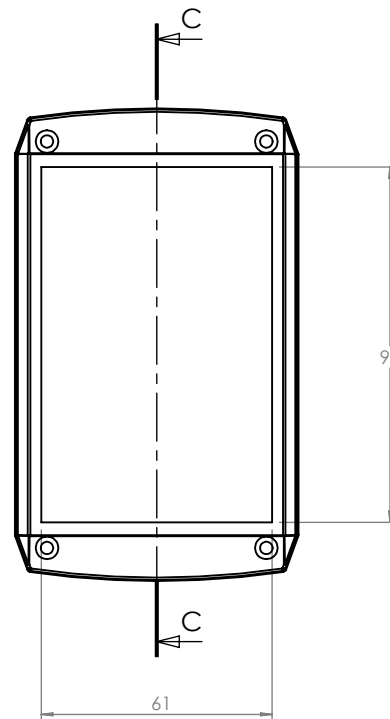
ISO VIEW 1:4



BASE

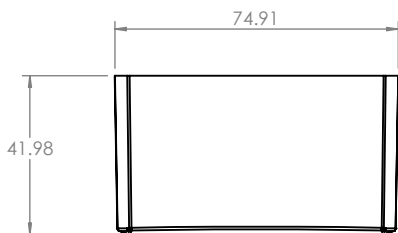




SECTION A-A



SECTION C-C

LID



 <b>CAMDENBOSS</b> JAMES CARTER RD, MILDENHALL, SUFFOLK, IP28 7DE TEL: 01 638 716101 FAX: 01 638 716554 EMAIL: SALES@CAMDENBOSS.COM WEB: WWW.CAMDENBOSS.COM		UNLESS OTHERWISE SPECIFIED: DIMENSIONS ARE IN MILLIMETERS		DO NOT SCALE DRAWING	REVISION: 0
		FINISH: <b>SMOOTH</b>		TITLE: <b>GNL ASSEMBLY DRG FOR 1101 SERIES - CSACT003</b>	
DRAWN	NAME IAN PAGANO	SIGNED I.P.	DATE 06/07/13	MATERIAL: <b>ABS &amp; POLYCARBONATE</b>	DWG NO. <b>CSACTT003</b>
CHKD	-	-	-	PROJECTION: 	SCALE: 1 : 2
				SHEET 1 OF 1	