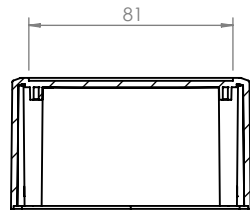


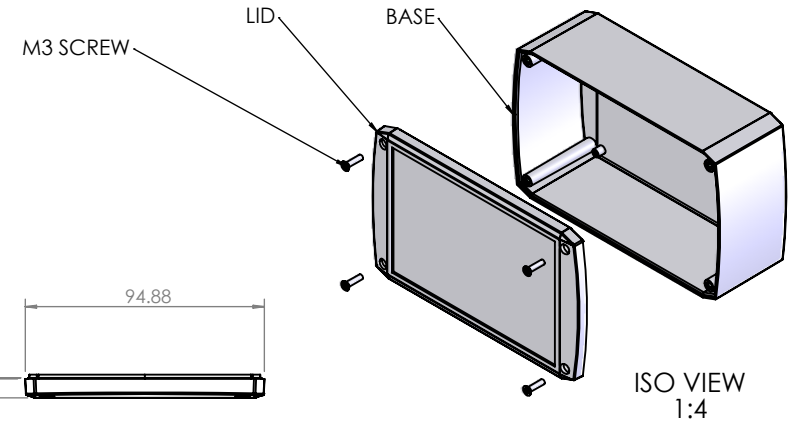
OVERALL ASSEMBLY DIMENSIONS:

EXTERNAL - 155 x 95 x 60

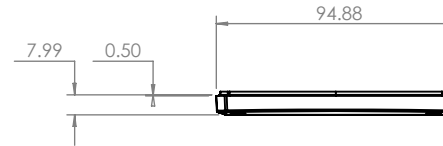
INTERNAL - 150 x 90 x 52.5



SECTION B-B



ISO VIEW
1:4



A

A

B

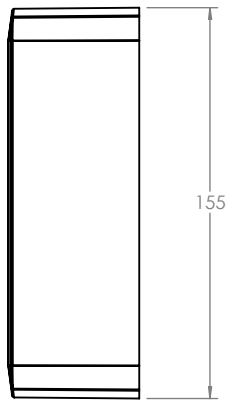
B

C

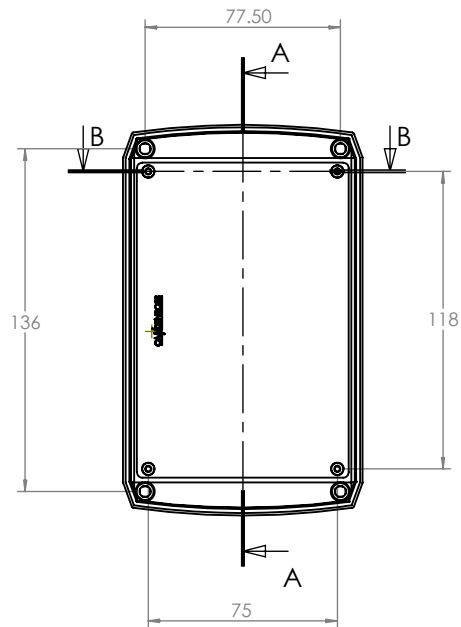
C

D

D

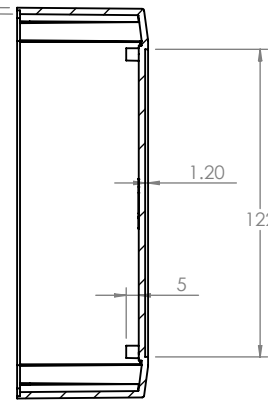


BASE

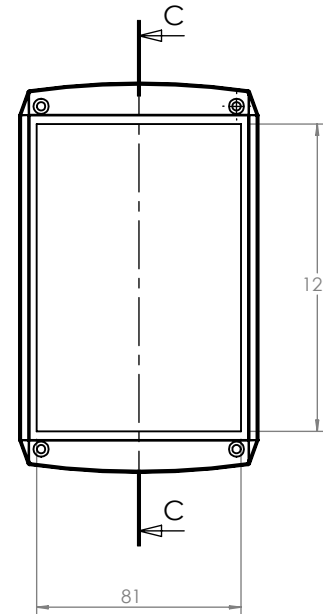


SECTION A-A

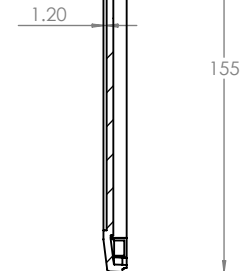
GNL WALL THK
2.50



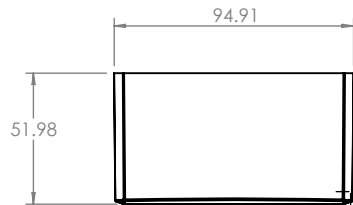
SECTION A-A





SECTION C-C



LID



 CAMDENBOSS JAMES CARTER RD, MILDENHALL, SUFFOLK. IP28 7DE TEL: 01638 716101 FAX: 01638 716554 EMAIL: Sales@CamdenBoss.com WEB: www.CamdenBoss.com		UNLESS OTHERWISE SPECIFIED: DIMENSIONS ARE IN MILLIMETERS		DO NOT SCALE DRAWING	REVISION. 0
		FINISH. SMOOTH		TITLE: GNL ASSEMBLY DRG FOR 1101 SERIES - CSACT004	
DRAWN	NAME IAN PAGANO	SIGNED I.P.	DATE 06/07/13	MATERIAL. ABS & POLYCARBONATE	DWG NO. CSACTT004
CHKD	-	-	-	PROJECTION. 	SCALE. 1 : 3
					SHEET 1 OF 1

A4