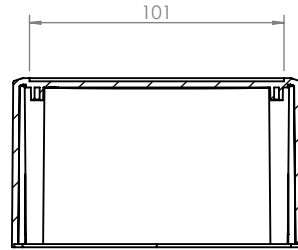


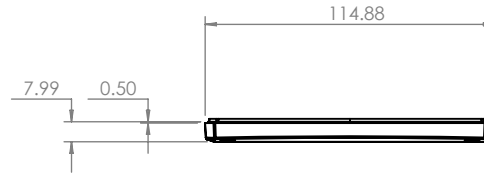
OVERALL ASSEMBLY DIMENSIONS:

EXTERNAL - 190 x 155 x 75

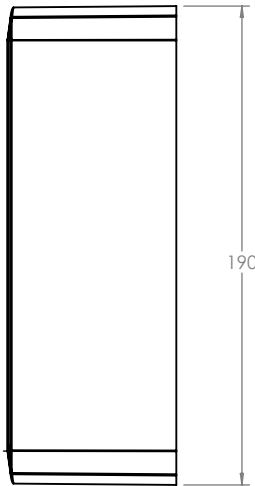
INTERNAL - 185 x 150 x 67.5



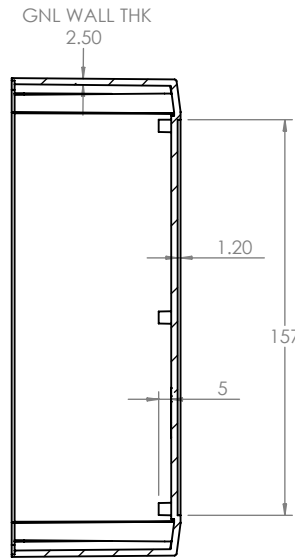
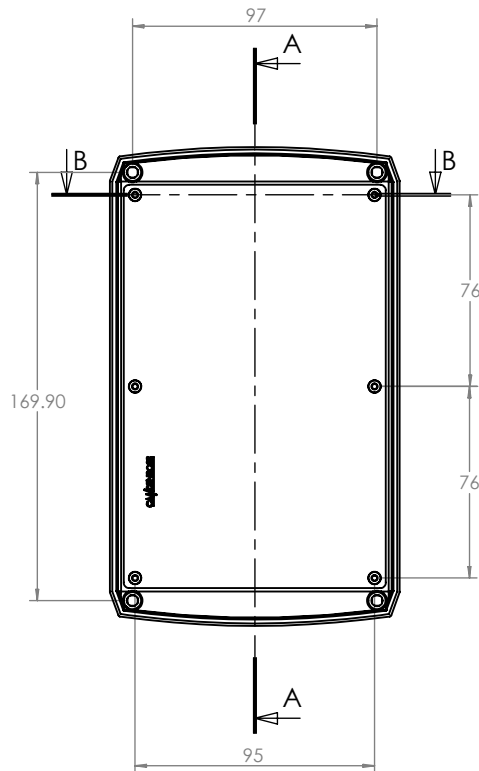
SECTION B-B



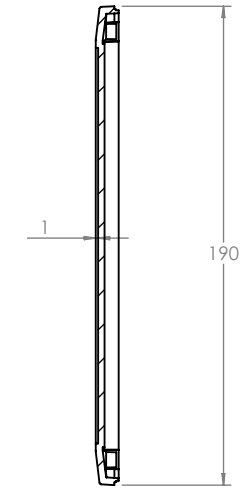
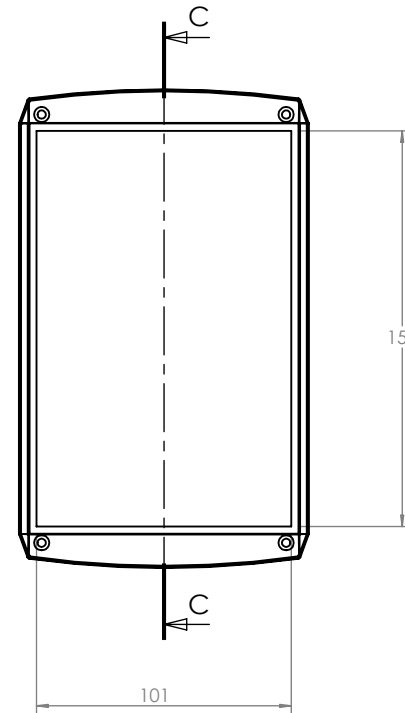
ISO VIEW
1:5



BASE

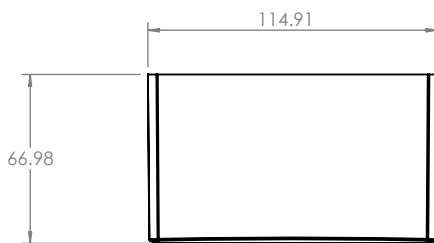




SECTION A-A



SECTION C-C

LID



 CAMDENBOSS JAMES CARTER RD, MILDENHALL, SUFFOLK. IP28 7DE TEL: 01638 716101 FAX: 01638 716554 EMAIL: Sales@CamdenBoss.com WEB: www.CamdenBoss.com				UNLESS OTHERWISE SPECIFIED: DIMENSIONS ARE IN MILLIMETERS	DO NOT SCALE DRAWING	REVISION. <input type="checkbox"/>
				GENERAL TOLERANCES +/- 0.2	TITLE: GENERAL DIMENSION DRAWING FOR 1100 SERIES SIZE 4	
FINISH. SMOOTH				MATERIAL. ABS & POLYCARBONATE	DWG NO. CSACTION005	A4
DRAWN	NAME IAN PAGANO	SIGNED I.P.	DATE 22/07/13	PROJECTION. 	SCALE: 1:2	SHEET 1 OF 1
CHKD	-	-	-			