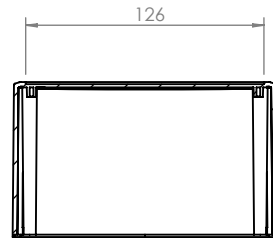


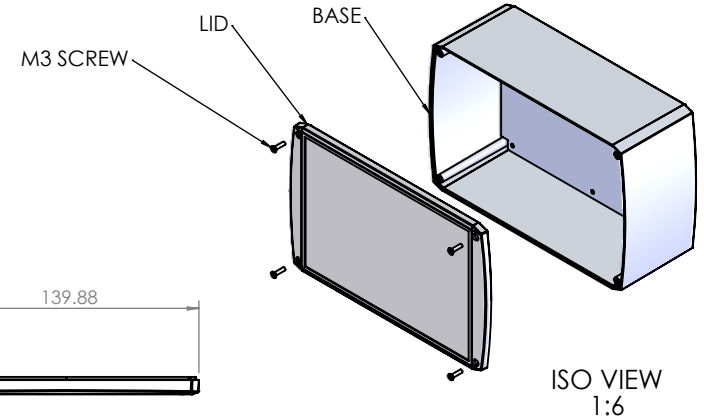
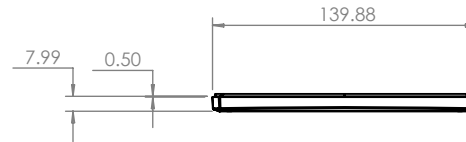
OVERALL ASSEMBLY DIMENSIONS:

EXTERNAL - 220 x 140 x 90

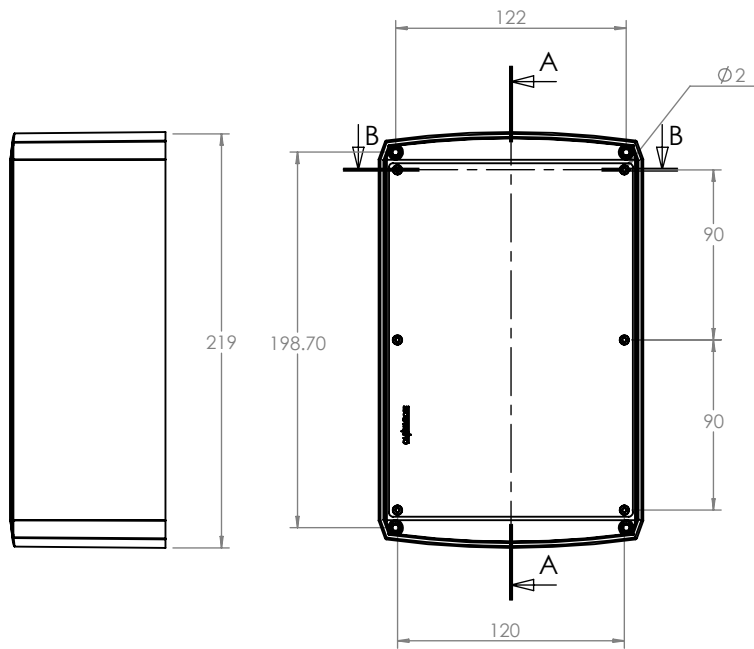
INTERNAL - 215 x 135 x 82.5



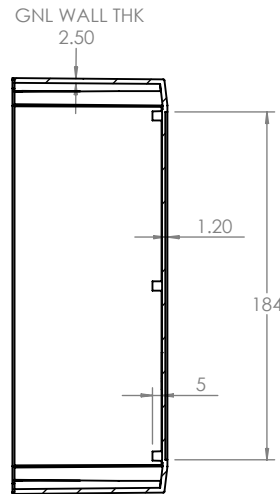
SECTION B-B



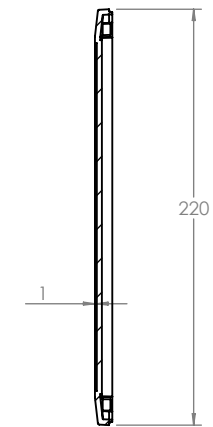
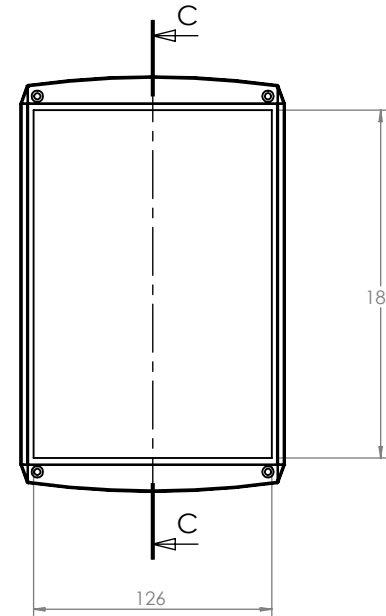
ISO VIEW  
1:6



BASE

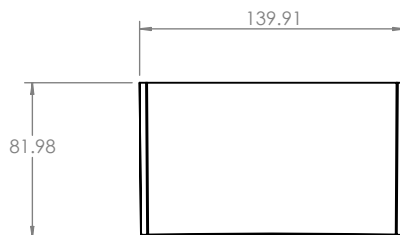




SECTION A-A



SECTION C-C

LID



 <b>CAMDENBOSS</b> JAMES CARTER RD, MILDENHALL, SUFFOLK. IP28 7DE TEL: 01638 716101 FAX: 01638 716554 EMAIL: Sales@CamdenBoss.com WEB: www.CamdenBoss.com				UNLESS OTHERWISE SPECIFIED: DIMENSIONS ARE IN MILLIMETERS		DO NOT SCALE DRAWING		REVISION: 0	
				FINISH: <b>SMOOTH</b>		TITLE: <b>GNL ASSEMBLY DRG FOR 1101 SERIES - CSACST006</b>			
DRAWN IAN PAGANO		SIGNED I.P.		DATE 06/08/13		MATERIAL: <b>ABS &amp; POLYCARBONATE</b>		DWG. NO. <b>CSACTT006</b>	
CHK'D -		-		-		PROJECTION: 		SCALE: 1 : 4	
								SHEET 1 OF 1	

A4