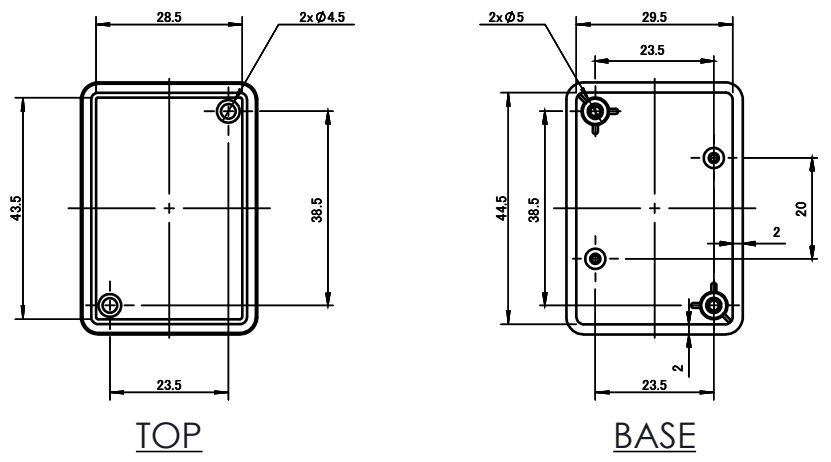
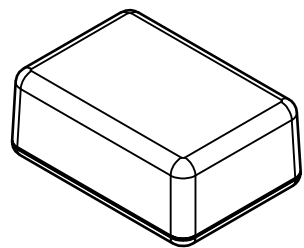




ISO VIEW
2:3



TOP

BASE

| | | | | | | | | | |
|---|--|------|--|--|--|--|--|---|--|
|  CAMDENBOSS JAMES CARTER RD, MILDENHALL, SUFFOLK. IP28 7DE TEL: 01638 716101 FAX: 01638 716554 EMAIL: Sales@CamdenBoss.com WEB: www.CamdenBoss.com | | | | UNLESS OTHERWISE SPECIFIED: DIMENSIONS ARE IN MILLIMETERS | | DO NOT SCALE DRAWING | | REVISION. ○ | |
| | | | | GENERAL TOLERANCES +/- 0.2 | | TITLE: 82 SERIES MULTI-PURPOSE CASES, SIZE 1, WHITE, 50x35x20 | | | |
| | | | | FINISH. FINE TEXTURE | | DWG NO. | | A4 | |
| | | | | MATERIAL. ABS UL94-V1 | | CUE8201WH | | | |
| DRAWN LEWIS LETCHFORD | | L.L. | | 14/01/14 | | SCALE. 2:3 | | SHEET 1 OF 1 | |
| CHK'D - | | - | | - | | PROJECTION. | |  | |