

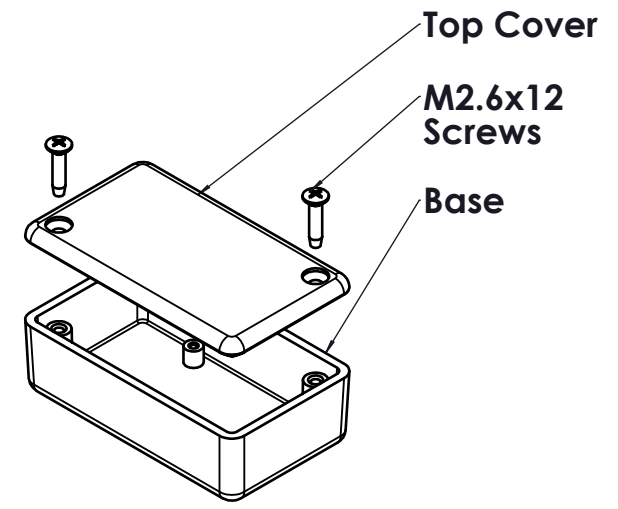
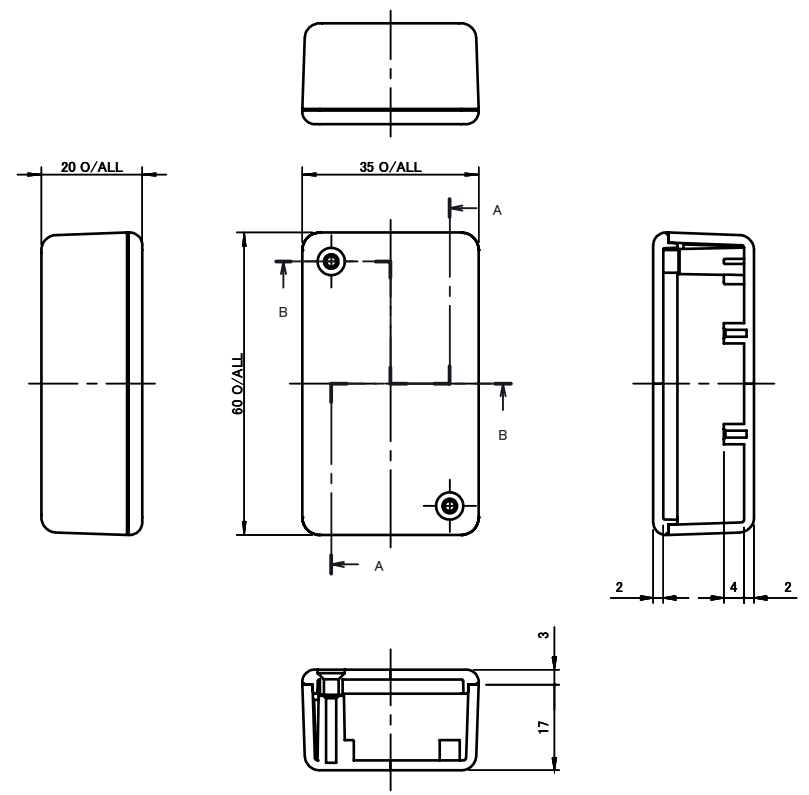
1 2 3 4 5 6

A

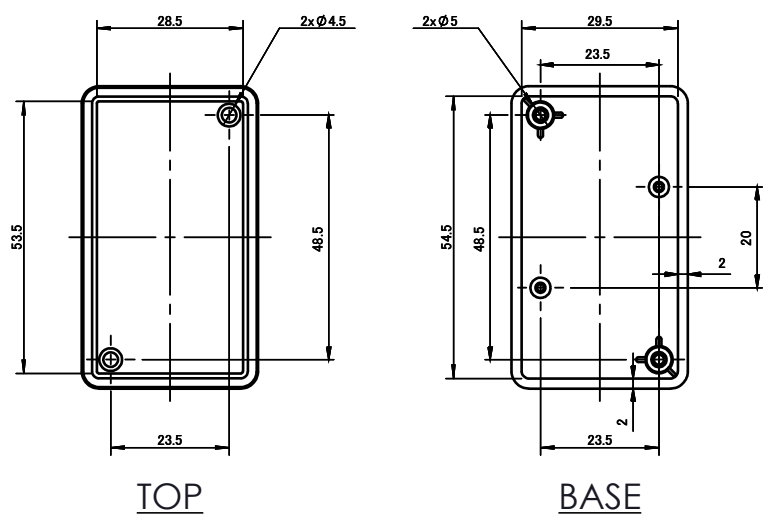
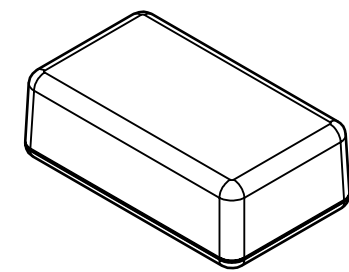
B


C

D



ISO VIEW
2:3



 CAMDENBOSS JAMES CARTER RD, MILDENHALL, SUFFOLK. IP28 7DE TEL: 01638 716101 FAX: 01638 716554 EMAIL: Sales@CamdenBoss.com WEB: www.CamdenBoss.com				UNLESS OTHERWISE SPECIFIED: DIMENSIONS ARE IN MILLIMETERS		DO NOT SCALE DRAWING		REVISION. ○	
				GENERAL TOLERANCES +/- 0.2		TITLE: 82 SERIES MULTI-PURPOSE CASES, SIZE 2, BLACK, 60x35x20			
				FINISH. FINE TEXTURE		DWG. NO.		CUE8202BK	
				MATERIAL. ABS UL94-HB		SCALE: 2:3		SHEET 1 OF 1	
DRAWN		NAME		SIGNED		DATE		PROJECTION.	
CHK'D		LEWIS LETCHFORD		L.L.		09/01/14		A4	

1 2 3 4 5 6