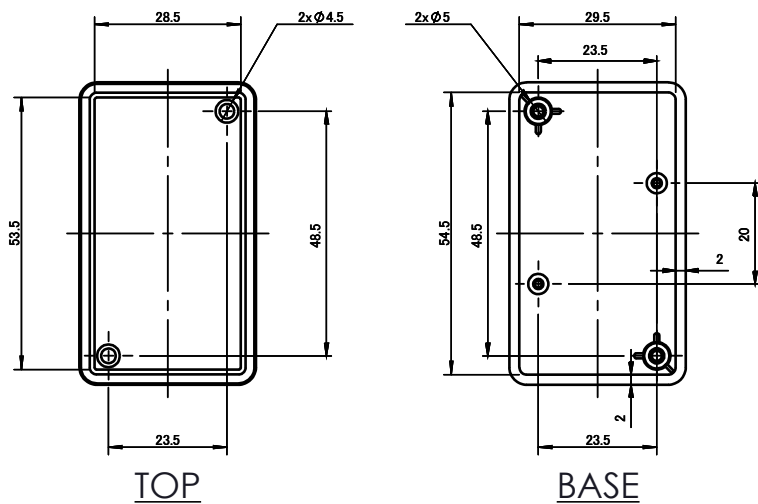
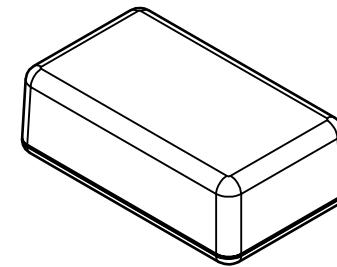




ISO VIEW
2:3



 CAMDENBOSS JAMES CARTER RD, MILDENHALL, SUFFOLK. IP28 7DE TEL: 01638 716101 FAX: 01638 716554 EMAIL: Sales@CamdenBoss.com WEB: www.CamdenBoss.com		UNLESS OTHERWISE SPECIFIED: DIMENSIONS ARE IN MILLIMETERS		DO NOT SCALE DRAWING		REVISION. ○	
		GENERAL TOLERANCES +/- 0.2		TITLE: 82 SERIES MULTI-PURPOSE CASES, SIZE 2, WHITE, 60x35x20			
		FINISH. FINE TEXTURE		MATERIAL. ABS UL94 - V1		DWG NO. CUE8202WH	
DRAWN LEWIS LETCHFORD		SIGNED LL		DATE 14/01/14		SCALE. 2:3	
CHKD -		-		-		SHEET 1 OF 1	
		PROJECTION.				A4	