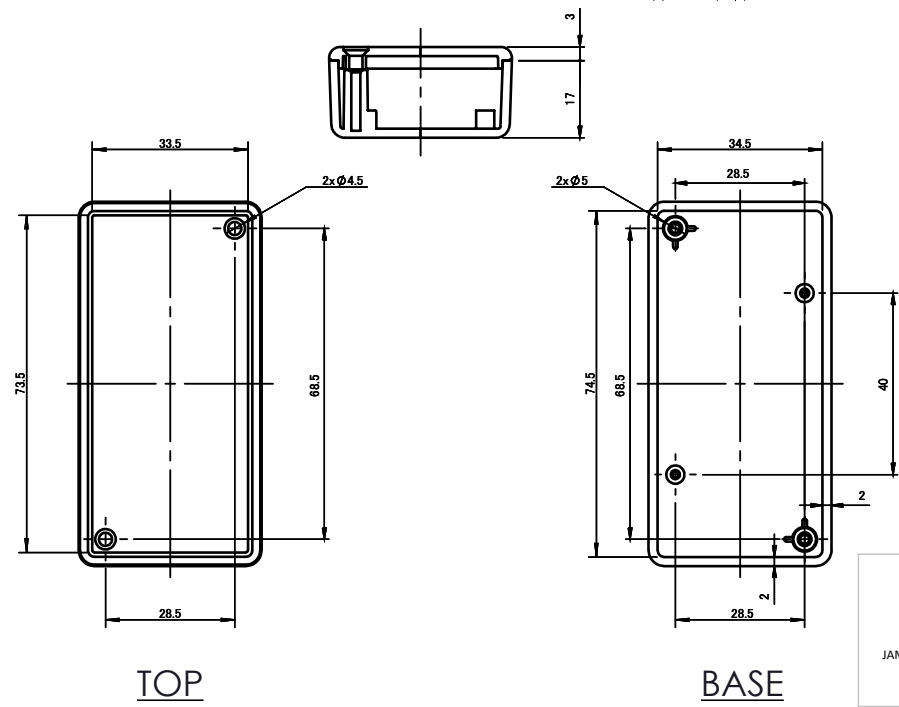
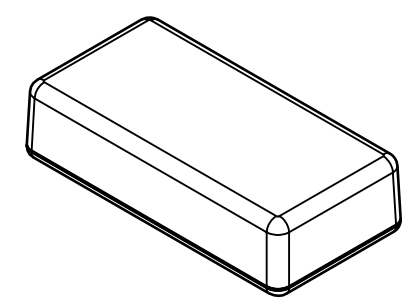




ISO VIEW
3:5



TOP

BASE

 CAMDENBOSS JAMES CARTER RD, MILDENHALL, SUFFOLK. IP28 7DE TEL: 01638 716101 FAX: 01638 716554 EMAIL: Sales@CamdenBoss.com WEB: www.CamdenBoss.com		UNLESS OTHERWISE SPECIFIED: DIMENSIONS ARE IN MILLIMETERS	DO NOT SCALE DRAWING	REVISION. ○
		GENERAL TOLERANCES +/- 0.2	TITLE: 82 SERIES MULTI-PURPOSE CASES, SIZE 3, WHITE, 80.3x40.3x20	
DRAWN LEWIS LETCHFORD		FINISH. FINE TEXTURE	DWG NO. CUE8203WH	A4
NAME	SIGNED	DATE	MATERIAL. ABS UL94 - V1	SCALE. 3:5
CHK'D	-	-	PROJECTION. 	SHEET 1 OF 1