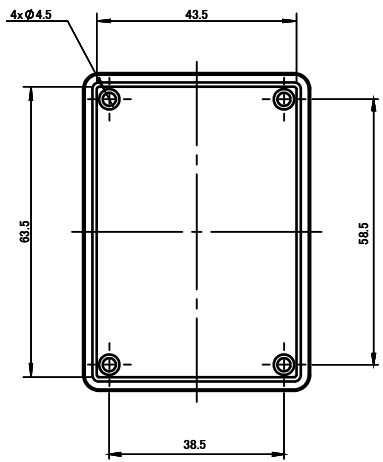
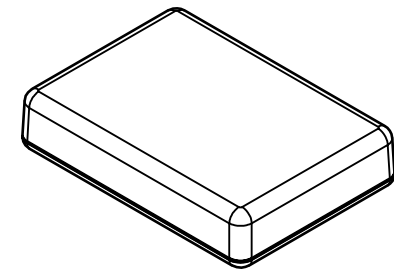
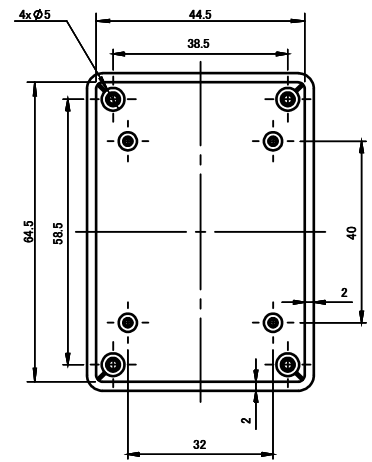



ISO VIEW  
3:5



TOP



BASE

 <b>CAMDENBOSS</b> JAMES CARTER RD, MILDENHALL, SUFFOLK. IP28 7DE TEL: 01638 716101 FAX: 01638 716554 EMAIL: Sales@CamdenBoss.com WEB: www.CamdenBoss.com		UNLESS OTHERWISE SPECIFIED: DIMENSIONS ARE IN MILLIMETERS		DO NOT SCALE DRAWING		REVISION. ○	
		GENERAL TOLERANCES +/- 0.2		TITLE: 82 SERIES MULTI-PURPOSE CASES, SIZE 4, WHITE, 70x50x15			
DRAWN		NAME	SIGNED	DATE	MATERIAL.		DWG NO.
LEWIS LETCHFORD	LL	14/01/14	ABS UL94 - V1		CUE8204WH		A4
CHK'D	-	-	-	PROJECTION.	SCALE: 3:5		SHEET 1 OF 1