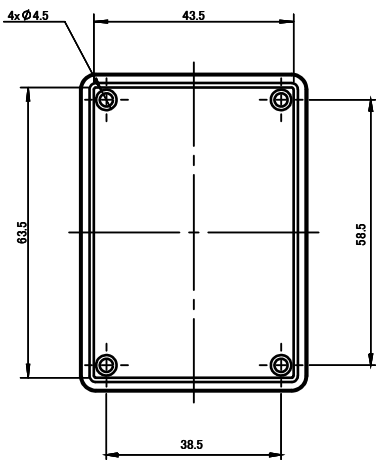
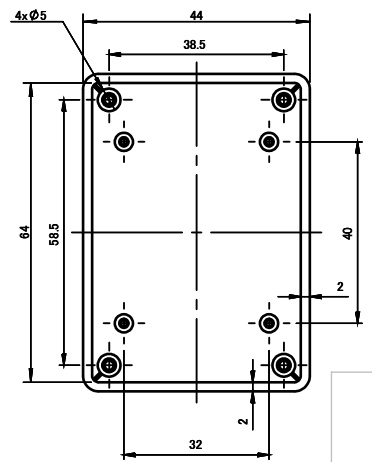




ISO VIEW
3:5



TOP



BASE

 CAMDENBOSS JAMES CARTER RD, MILDENHALL, SUFFOLK. IP28 7DE TEL: 01638 716101 FAX: 01638 716554 EMAIL: Sales@CamdenBoss.com WEB: www.CamdenBoss.com		UNLESS OTHERWISE SPECIFIED: DIMENSIONS ARE IN MILLIMETERS		DO NOT SCALE DRAWING		REVISION. ○	
		GENERAL TOLERANCES +/- 0.2		TITLE: 82 SERIES MULTI-PURPOSE CASES, SIZE 5, WHITE, 70x50x27.5			
		FINISH. FINE TEXTURE		MATERIAL. ABS UL94 - V1		DWG NO. CUE8205WH	
DRAWN LEWIS LETCHFORD L.L. 14/01/14		NAME SIGNED DATE		SCALE. 3:5		SHEET 1 OF 1	
CHK'D - - -		PROJECTION. 		A4			