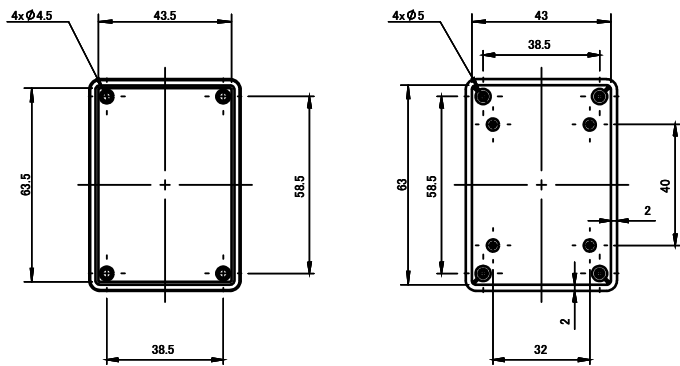
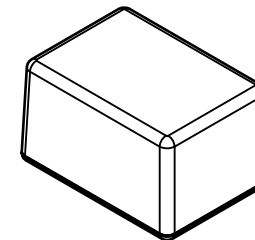




ISO VIEW  
2:5



TOP

BASE

 <b>CAMDENBOSS</b> JAMES CARTER RD, MILDENHALL, SUFFOLK. IP28 7DE TEL: 01638 716101 FAX: 01638 716554 EMAIL: Sales@CamdenBoss.com WEB: www.CamdenBoss.com		UNLESS OTHERWISE SPECIFIED: DIMENSIONS ARE IN MILLIMETERS	DO NOT SCALE DRAWING	REVISION. ○			
		GENERAL TOLERANCES +/- 0.2	TITLE: 82 SERIES MULTI-PURPOSE CASES, SIZE 6, WHITE, 70x50x40				
DRAWN LEWIS LETCHFORD		NAME	SIGNED	DATE	MATERIAL. ABS UL94 - V1	DWG NO. CUE8206WH	A4
CHK'D	-	-	-	-	PROJECTION. 	SCALE: 2:5	SHEET 1 OF 1