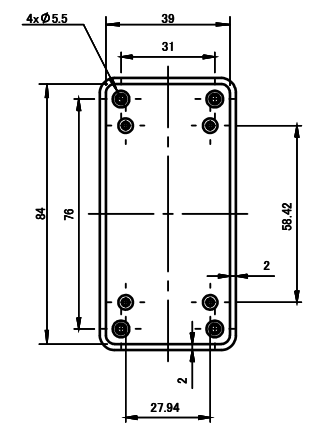
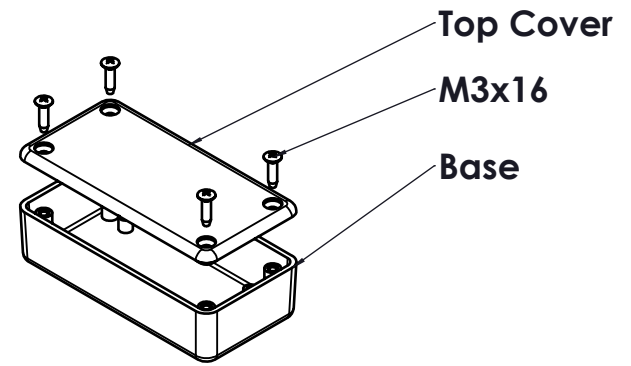
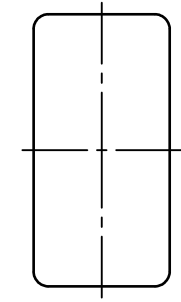


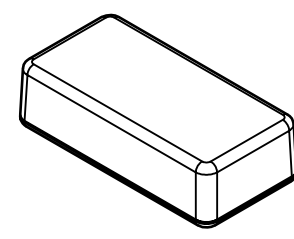
TOP





BASE



ISO VIEW
2:5



 CAMDENBOSS JAMES CARTER RD, MILDENHALL, SUFFOLK. IP28 7DE TEL: 01638 716101 FAX: 01638 716554 EMAIL: Sales@CamdenBoss.com WEB: www.CamdenBoss.com		UNLESS OTHERWISE SPECIFIED: DIMENSIONS ARE IN MILLIMETERS		DO NOT SCALE DRAWING	REVISION. ○
		GENERAL TOLERANCES +/- 0.2		TITLE: 82 SERIES MULTI-PURPOSE CASES, SIZE 7, WHITE, 90x45x25	
		FINISH. FINE TEXTURE		DWG NO. CUE8207WH	
DRAWN LEWIS LETCHFORD		SIGNED L.L.	DATE 14/01/14	MATERIAL. ABS UL94 - V1	
CHK'D -		-		PROJECTION. 	SCALE: 2:5
				SHEET 1 OF 1	

A4