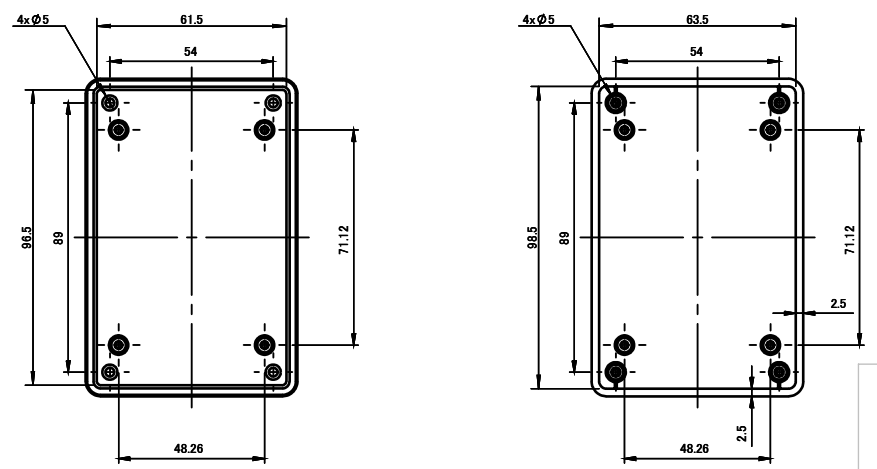
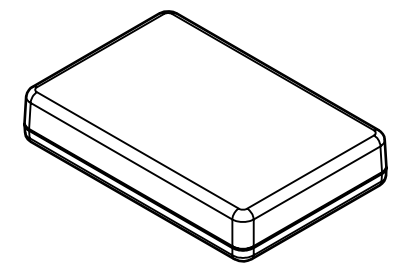


ISO VIEW  
2:5



TOP

BASE

<p><b>CAMDENBOSS</b>          JAMES CARTER RD, MILDENHALL, SUFFOLK. IP28 7DE          TEL: 01638 716101 FAX: 01638 716554          EMAIL: Sales@CamdenBoss.com          WEB: www.CamdenBoss.com</p>		UNLESS OTHERWISE SPECIFIED: DIMENSIONS ARE IN MILLIMETERS	DO NOT SCALE DRAWING	REVISION. <input type="checkbox"/>
		GENERAL TOLERANCES +/- 0.2	TITLE: 82 SERIES MULTI-PURPOSE CASES, SIZE 8, WHITE, 105x70x20	
		FINISH. FINE TEXTURE	DWG NO.	CUE8208WH
DRAWN	NAME	SIGNED	DATE	MATERIAL. ABS UL94 - V0
LEWIS LETCHFORD	LL	14/01/14		
CHK'D	-	-	-	PROJECTION.
			SCALE. 2:5	SHEET 1 OF 1

A4