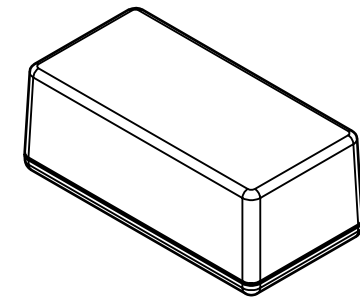




ISO VIEW
2:6



 CAMDENBOSS JAMES CARTER RD, MILDENHALL, SUFFOLK. IP28 7DE TEL: 01638 716101 FAX: 01638 716554 EMAIL: Sales@CamdenBoss.com WEB: www.CamdenBoss.com		UNLESS OTHERWISE SPECIFIED: DIMENSIONS ARE IN MILLIMETERS		DO NOT SCALE DRAWING		REVISION. <input type="checkbox"/>	
		GENERAL TOLERANCES +/- 0.2		TITLE: 82 SERIES MULTI-PURPOSE CASES, SIZE 12, BLACK, 130x65x50.1			
		FINISH. FINE TEXTURE		DWG. NO. CUE8212BK		A4	
DRAWN LEWIS LETCHFORD		SIGNED L.L.		DATE 10/01/14		MATERIAL. ABS UL94-HB	
CHK'D -		-		-		PROJECTION. 	
				SCALE: 2:6		SHEET 1 OF 1	