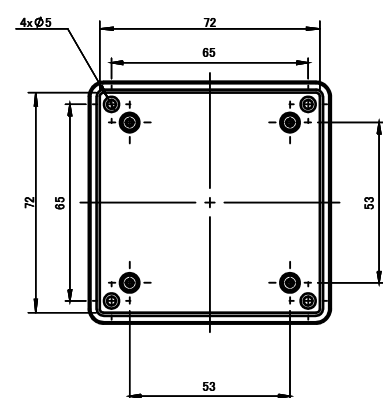
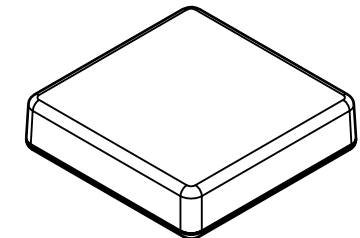
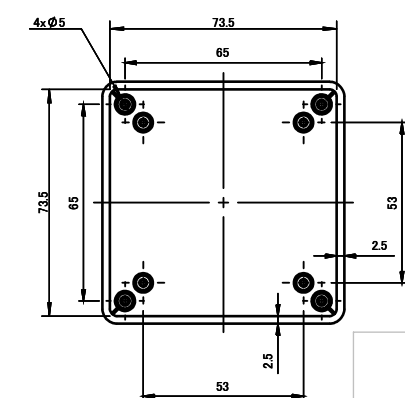




ISO VIEW  
2:5



TOP



BASE

 <b>CAMDENBOSS</b> JAMES CARTER RD, MILDENHALL, SUFFOLK. IP28 7DE TEL: 01638 716101 FAX: 01638 716554 EMAIL: Sales@CamdenBoss.com WEB: www.CamdenBoss.com				UNLESS OTHERWISE SPECIFIED: DIMENSIONS ARE IN MILLIMETERS		DO NOT SCALE DRAWING		REVISION. ○	
				GENERAL TOLERANCES +/- 0.2		TITLE: 82 SERIES MULTI-PURPOSE CASES, SIZE 13, BLACK, 80x80x20			
FINISH. FINE TEXTURE				MATERIAL. ABS UL94-HB		DWG NO. CUE8213BK		A4	
DRAWN	LEWIS LETCHFORD	LL	10/01/14	PROJECTION. 		SCALE. 2:5		SHEET 1 OF 1	
CHK'D	-	-	-						