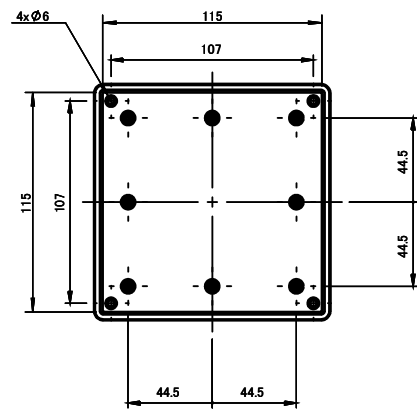
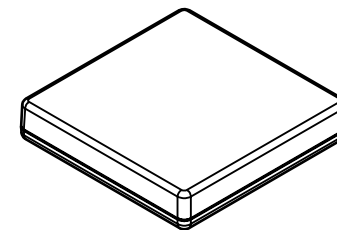
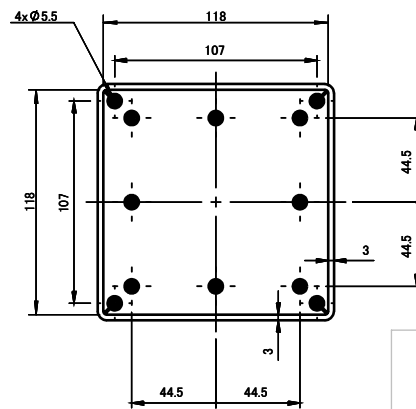



ISO VIEW
1:4



TOP



BASE

 CAMDENBOSS JAMES CARTER RD, MILDENHALL, SUFFOLK. IP28 7DE TEL: 01638 716101 FAX: 01638 716554 EMAIL: Sales@CamdenBoss.com WEB: www.CamdenBoss.com		UNLESS OTHERWISE SPECIFIED: DIMENSIONS ARE IN MILLIMETERS		DO NOT SCALE DRAWING		REVISION. ○	
		GENERAL TOLERANCES +/- 0.2		TITLE: 82 SERIES MULTI-PURPOSE CASES, SIZE 19, BLACK, 125x125x25			
DRAWN		NAME	SIGNED	DATE	MATERIAL.		DWG NO.
LEWIS LETCHFORD		LL		10/01/14	ABS UL94-HB		CUE8219BK
CHK'D		-	-	-	PROJECTION.		A4
				SCALE: 1:4		SHEET 1 OF 1	