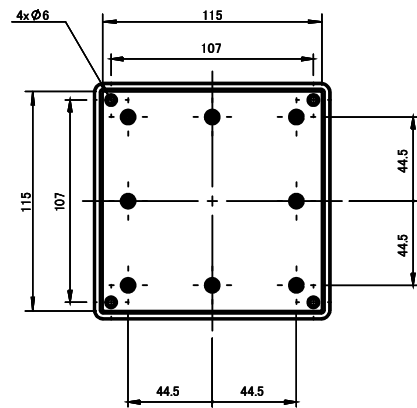
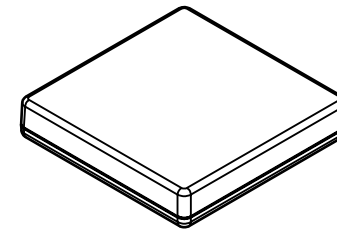
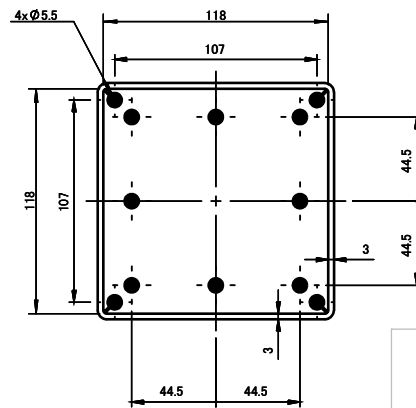



ISO VIEW  
1:4



TOP



BASE

 <b>CAMDENBOSS</b> JAMES CARTER RD, MILDENHALL, SUFFOLK. IP28 7DE TEL: 01638 716101 FAX: 01638 716554 EMAIL: Sales@CamdenBoss.com WEB: www.CamdenBoss.com		UNLESS OTHERWISE SPECIFIED: DIMENSIONS ARE IN MILLIMETERS		DO NOT SCALE DRAWING		REVISION. ○	
		GENERAL TOLERANCES +/- 0.2		TITLE: <b>82 SERIES MULTI-PURPOSE CASES, SIZE 19, WHITE, 125x125x25</b>			
		FINISH. FINE TEXTURE		MATERIAL. ABS UL94-HB		DWG NO. <b>CUE8219WH</b>	
DRAWN LEWIS LETCHFORD		SIGNED L.L.		DATE 29/01/14		SCALE: 1:4	
CHK'D -		-		-		SHEET 1 OF 1	

A4