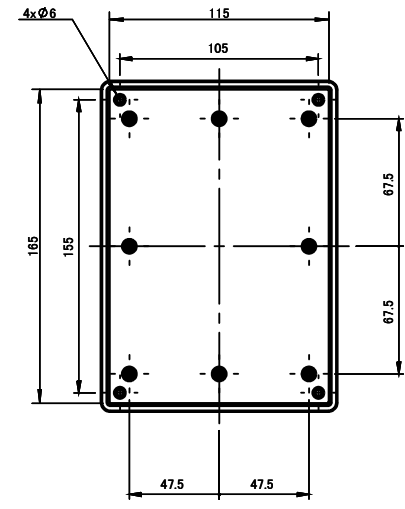
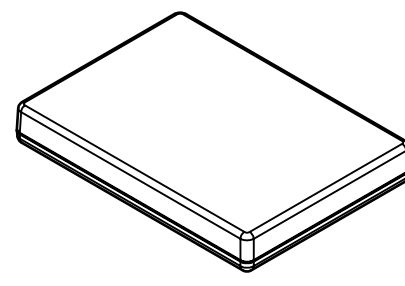
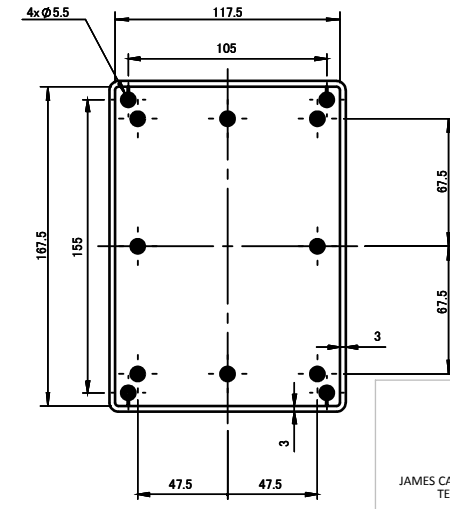




ISO VIEW
1:4



TOP



BASE

 CAMDENBOSS JAMES CARTER RD, MILDENHALL, SUFFOLK. IP28 7DE TEL: 01638 716101 FAX: 01638 716554 EMAIL: Sales@CamdenBoss.com WEB: www.CamdenBoss.com		UNLESS OTHERWISE SPECIFIED: DIMENSIONS ARE IN MILLIMETERS	DO NOT SCALE DRAWING	REVISION. <input type="checkbox"/>
		GENERAL TOLERANCES +/- 0.2	TITLE: 82 SERIES MULTI-PURPOSE CASES, SIZE 21, WHITE, 175x125x25	
DRAWN LEWIS LETCHFORD		FINISH. FINE TEXTURE	MATERIAL. ABS UL94-HB	DWG NO. CUE8221WH
CHKD -	SIGNED L.L.	DATE 29/01/14	PROJECTION. 	SCALE: 1:4
			SHEET 1 OF 1	

A4