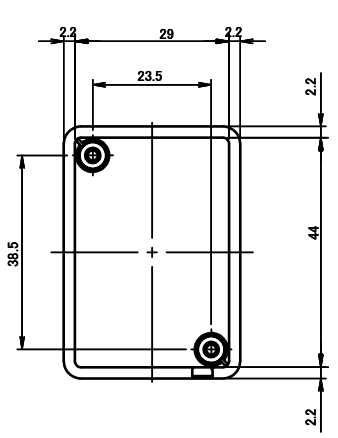
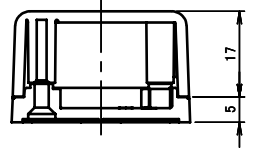
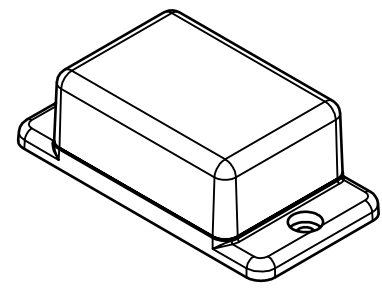
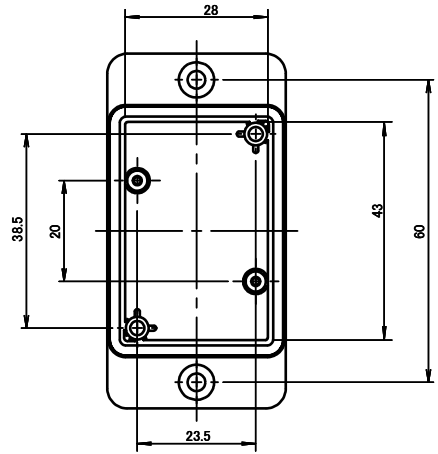



ISO VIEW
2:3



TOP



BASE

 CAMDENBOSS JAMES CARTER RD, MILDENHALL, SUFFOLK. IP28 7DE TEL: 01638 716101 FAX: 01638 716554 EMAIL: Sales@CamdenBoss.com WEB: www.CamdenBoss.com			UNLESS OTHERWISE SPECIFIED: DIMENSIONS ARE IN MILLIMETERS		DO NOT SCALE DRAWING		REVISION. ○							
			GENERAL TOLERANCES +/- 0.2		TITLE: 83 SERIES PLASTIC FLANGED CASES, WHITE, 70.4x35.4x22									
DRAWN			NAME		SIGNED		DATE		MATERIAL.		DWG NO.		A4	
CHKD			LEWIS LETCHFORD		LL		29/01/2014		ABS UL94-V0		CUE8301WH			
									PROJECTION.		SCALE: 2:3		SHEET 1 OF 1	