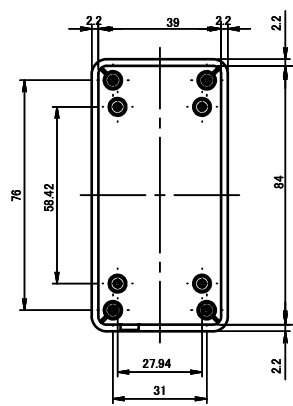
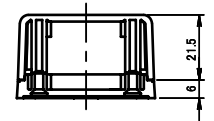
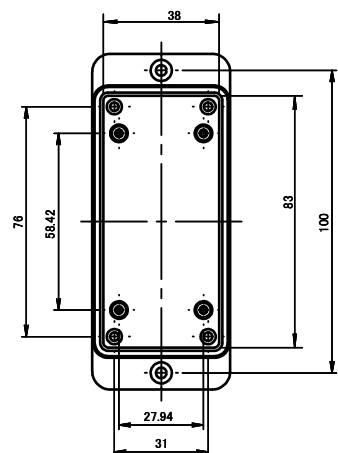


M2.6x12 Screws
Flanged Base
Top Cover

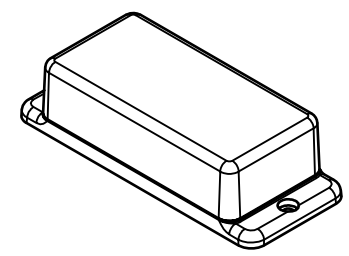
ISO VIEW
2:5





TOP



BASE



 CAMDENBOSS JAMES CARTER RD, MILDENHALL, SUFFOLK. IP28 7DE TEL: 01638 716101 FAX: 01638 716554 EMAIL: Sales@CamdenBoss.com WEB: www.CamdenBoss.com		UNLESS OTHERWISE SPECIFIED: DIMENSIONS ARE IN MILLIMETERS		DO NOT SCALE DRAWING		REVISION. ○	
		GENERAL TOLERANCES +/- 0.2		TITLE: 83 SERIES PLASTIC FLANGED CASES, WHITE, 111x45.6x27.5			
		FINISH. FINE TEXTURE		DWG NO. CUE8307WH		A4	
DRAWN LEWIS LETCHFORD		SIGNED L.L.		DATE 11/02/2014		MATERIAL. ABS UL94-V0	
CHK'D -		-		-		PROJECTION. 	
				SCALE: 2:5		SHEET 1 OF 1	