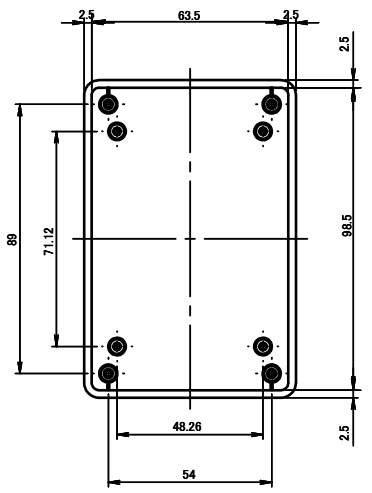
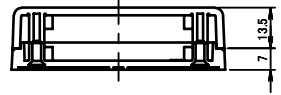
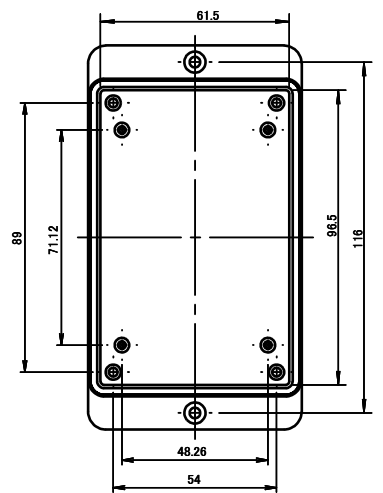


M2.6x14 Screws
Flanged Base
Top Cover

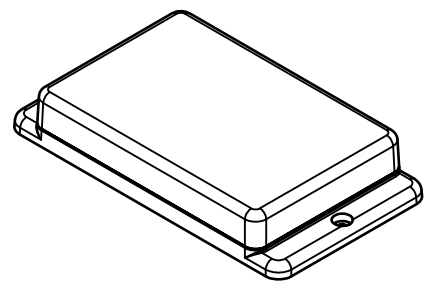
ISO VIEW
2:5





TOP



BASE



 CAMDENBOSS JAMES CARTER RD, MILDENHALL, SUFFOLK. IP28 7DE TEL: 01638 716101 FAX: 01638 716554 EMAIL: Sales@CamdenBoss.com WEB: www.CamdenBoss.com		UNLESS OTHERWISE SPECIFIED: DIMENSIONS ARE IN MILLIMETERS	DO NOT SCALE DRAWING	REVISION. ○
		GENERAL TOLERANCES +/- 0.2	TITLE: 83 SERIES PLASTIC FLANGED CASES, DARK GREY, 127x70.6x20.5	
		FINISH. FINE TEXTURE	DWG NO. CUE8308DG	A4
DRAWN	NAME	SIGNED	DATE	MATERIAL. ABS UL94-V0
CHK'D	-	-	-	PROJECTION. 
			SCALE. 2:5	SHEET 1 OF 1