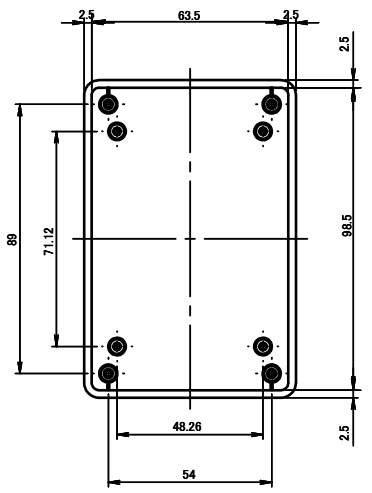
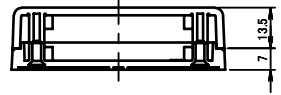
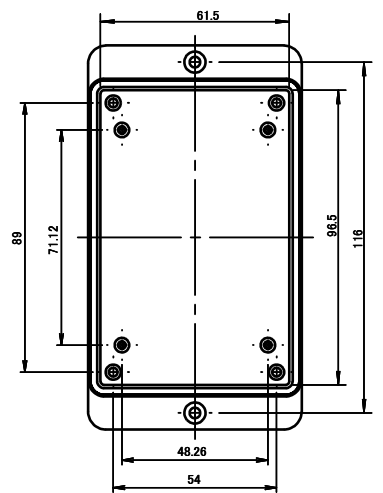


M2.6x14 Screws
 Flanged Base
 Top Cover

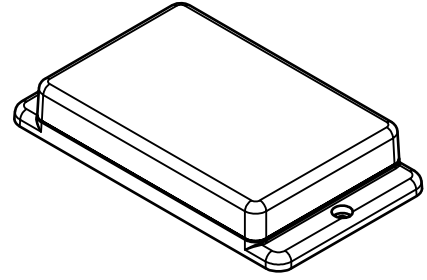
ISO VIEW
 2:5




TOP



BASE



 CAMDENBOSS JAMES CARTER RD, MILDENHALL, SUFFOLK. IP28 7DE TEL: 01638 716101 FAX: 01638 716554 EMAIL: Sales@CamdenBoss.com WEB: www.CamdenBoss.com		UNLESS OTHERWISE SPECIFIED: DIMENSIONS ARE IN MILLIMETERS		DO NOT SCALE DRAWING		REVISION. ○	
		GENERAL TOLERANCES +/- 0.2		TITLE: 83 SERIES PLASTIC FLANGED CASES, WHITE, 127x70.6x20.5			
		FINISH. FINE TEXTURE		DWG NO. CUE8308WH		A4	
MATERIAL. ABS UL94-V0		DRAWN LEWIS LETCHFORD L.L. 11/02/2014		SCALE. 2:5		SHEET 1 OF 1	
CHK'D - - -		NAME SIGNED DATE		PROJECTION. 